

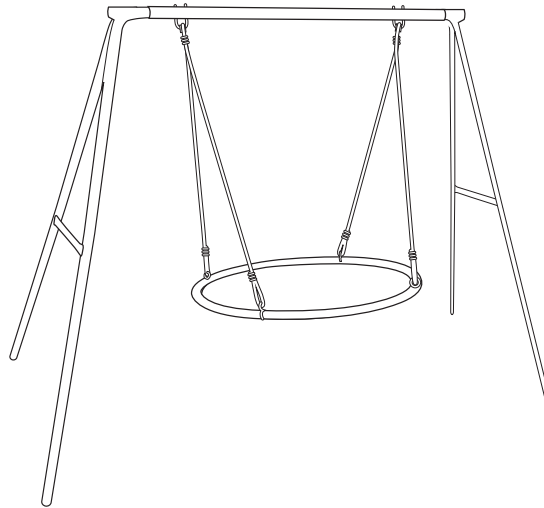
Nest Swing

S002374

ATTENTION!

SAFETY INFORMATION, INSTALLATION, CARE
AND MAINTENANCE INSTRUCTIONS.

READ PRIOR TO ASSEMBLING AND USING THE Nest Swing.



WARNING: To ensure your safety, please do not attempt to assemble this Nest Swing without reading this instruction manual carefully. Failure to comply with this warning may result in injury and/or property damage.

- Prior to assembly, this Nest Swing includes small parts/accessories that are not suitable for children under 3 years of age as they may cause a choking hazard.
- This Nest Swing should be assembled by an adult.
- Only use this Nest Swing on a soft, flat level surface.
- **Maximum 3 children, with total combined user weight of 100kg.**
- This Nest Swing is suitable for users aged 3 years and over.
- Do not allow more than 3 children on the Nest Swing at any time.
- This Nest Swing is designed for domestic use only, it is not intended for commercial use in play centres, nurseries etc

For parts and service enquiries, please contact our National Service Centre on 1800 465 070 or e-mail service@actionspares.com.au

Contents


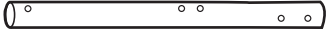
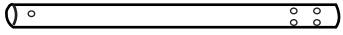
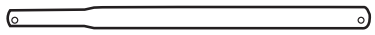
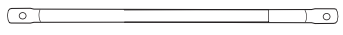
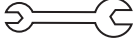




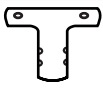
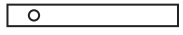
- 3** Warnings
- 4** Parts List
- 6** Assembly Instructions
- 8** Warranty Information

Warnings

To reduce the risk of serious injury, read the entire manual before you assemble or use this Nest Swing. In particular, please note the following safety precautions. Please keep this manual in a safe place for future reference.

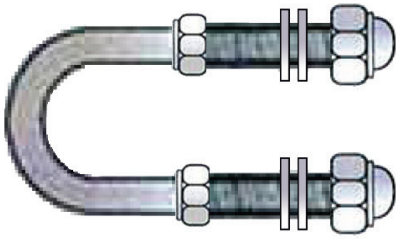
1. Prior to assembly, this Nest Swing includes small parts/accessories that are not suitable for children under 3 years of age as they may cause a choking hazard.
2. It is the responsibility of the owner to ensure that all users of this Nest Swing are adequately informed of all warnings and precautions. This Nest Swing is not intended for use by persons (including children) with reduced physical, sensory or mental capabilities; or lack of experience and knowledge unless they have been given supervision or instruction concerning use of the Nest Swing by a person responsible for their safety.
3. This Nest Swing should be assembled by 2 adults.
4. Place this Nest Swing on a soft level surface with at least 2.5m diameter of clear space surrounding the unit.
5. This Nest Swing is suitable for users aged 3 years and over.
6. **Maximum 3 children, with total combined user weight of 100kg.**
7. Do not allow more than 3 children on the Nest Swing at any time.
8. This Nest Swing is designed for domestic use only, it is not intended for commercial use in play centres, nurseries etc.
9. Do not use the Nest Swing when wet.
10. Do not use the Nest Swing while under the influence of alcohol or drugs. Balance, perception and assessment of risk will be affected and may lead to injury.
11. Do not allow any activity underneath the Nest Swing.
12. Do not use foreign objects with the Nest Swing, use of any foreign objects will void the warranty.
13. Inspect the Nest Swing before each use, replace any worn or defective parts. If you require replacement parts to be sent out, please contact our National Service Centre (details can be found in the warranty pages at the end of this manual).
14. Climb on and off the Nest Swing, do not jump on or off. It is dangerous to jump from the Nest Swing to the ground when dismounting, or onto the Nest Swing when mounting. Always use two hands to hold onto the frame when getting on or off the Nest Swing. Small children may need assistance getting on or off of the Nest Swing.
15. Jewellery should be removed before using the Nest Swing as this may cause an injury to the user and/or damage the Nest Swing.
16. Users should only use the Nest Swing under adult supervision.

Parts List

Part No.	Description	Qty
1	Top bar 1 	1
2	Top bar 2 	1
3	Top leg 	4
5	Bottom leg 	4
7	Side stay bar 	2
8	Spanner 	1
9	Allen Key 	1
10	Rope 	2
11	Nest swing metal frame 	4
12	Nest swing fabric 	1
16	Connector 	2
35	Ground peg 	4

Parts List (cont)

F1



M8 U-BOLT (X2)

F2



M8 BOLT 53mm (X1)

F3



M6 BOLT 50mm (X8)

F4



M6 BOLT 47mm (x4)

F5

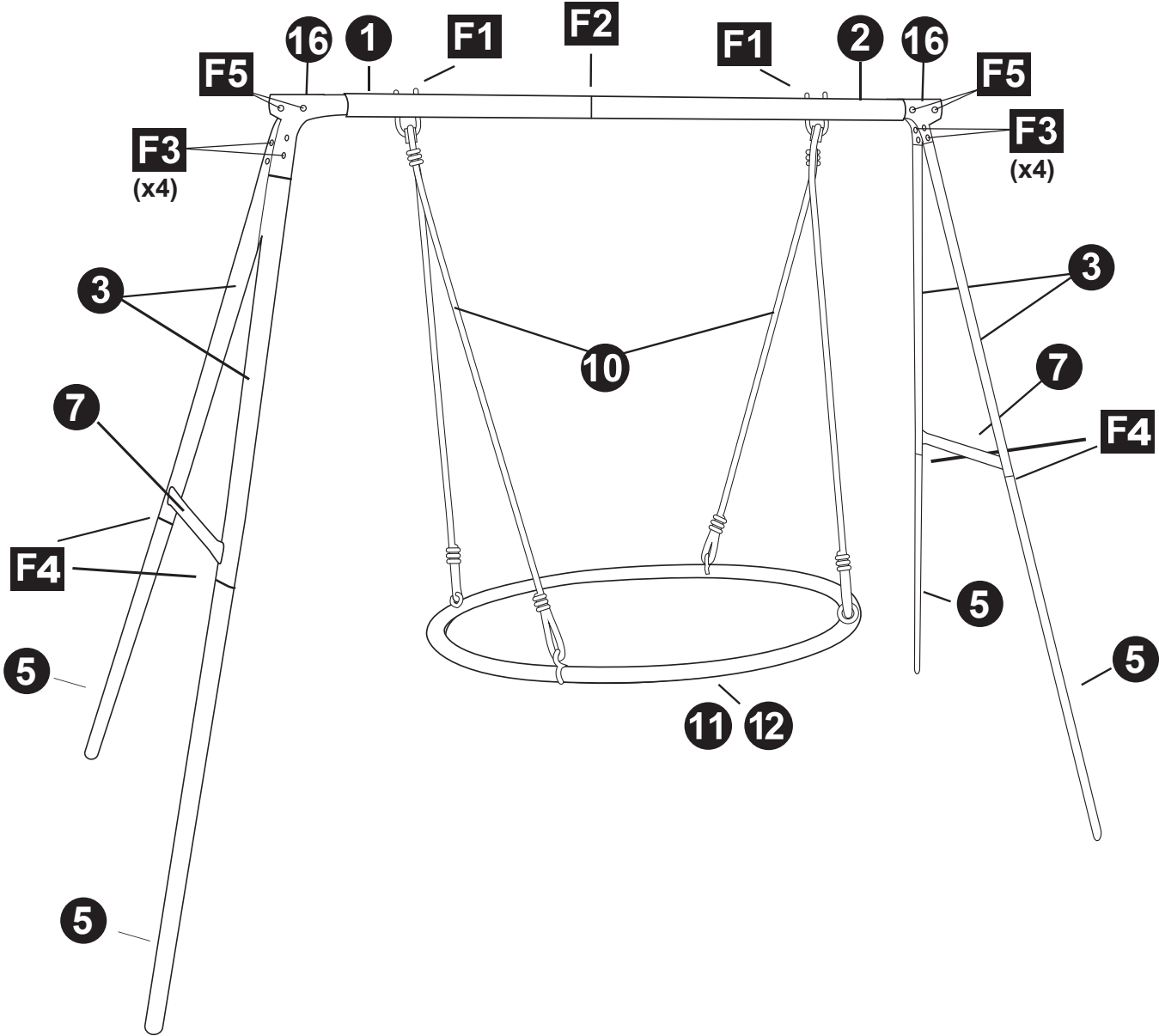


M8 BOLT 60mm (X4)

NOTE: If you have any problems by this stage, please do not try to install the Nest Swing and call our National Service Centre 1800 465 070

Assembly Instructions

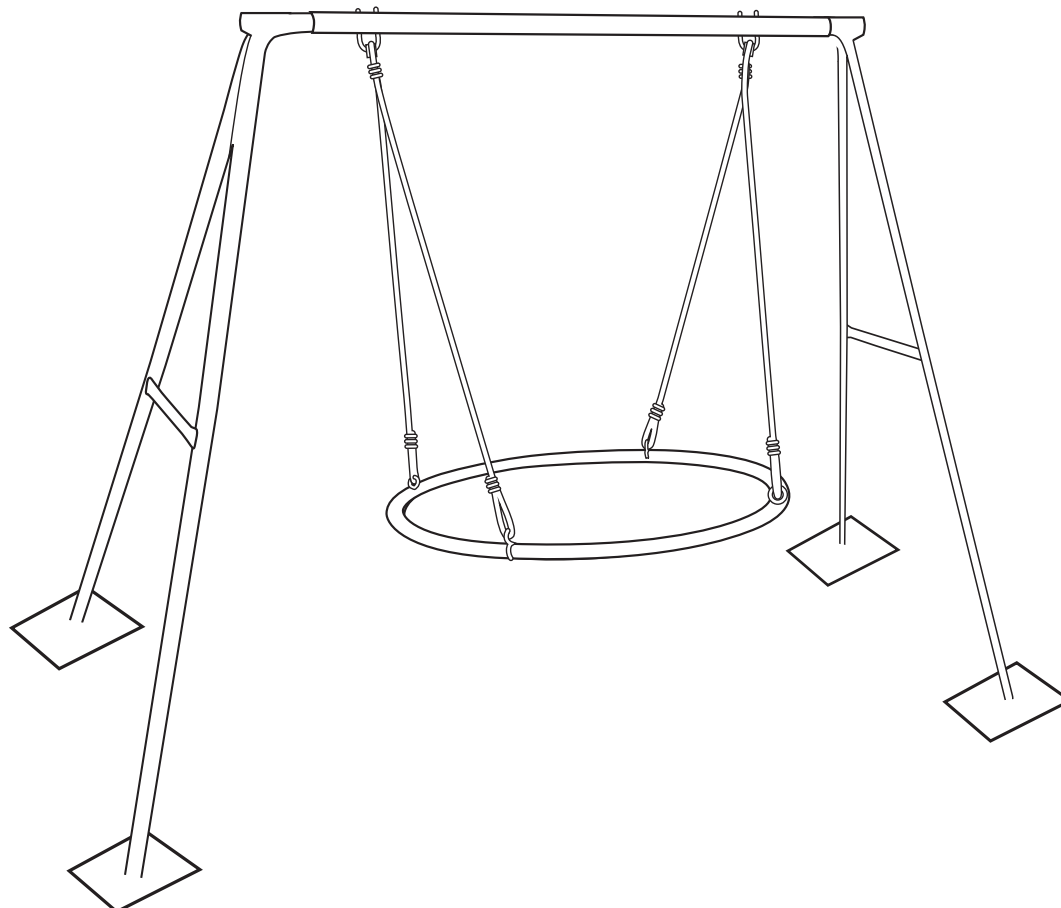
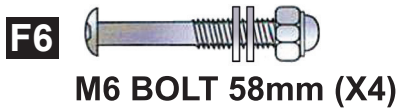
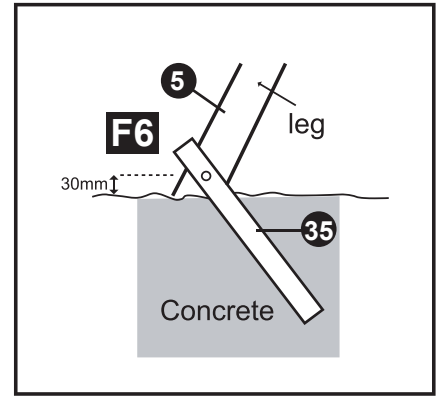
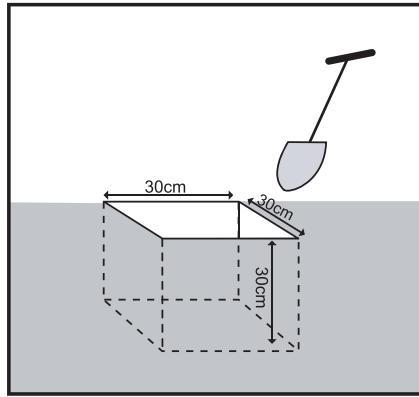
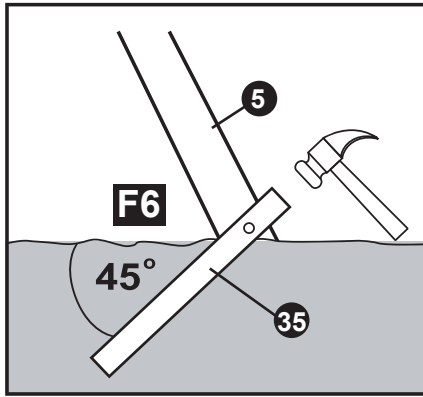
Insert the Nest Swing Metal Frame (11) into the edge of the Nest Swing Fabric (12). Connect the metal frames together and then fasten them using the bolt at the end of the rope (10).



Assembly Instructions (cont)

Anchoring the nest swing to the ground.

IMPORTANT: For safety reasons, the nest swing is strongly recommended to be anchored and concreted into the ground. If you are uncertain about this procedure, please contact our National Service Centre 1800 465 070.



Warranty Information

Congratulations on your purchase!

This **Action Nest Swing** is warranted to be free from defects in material and workmanship under normal use and service conditions for a period of **12 months** from the date of purchase of this article. Evidence of unfair usage or incorrect adjustment by the owner will void this promise.

Our goods come with guarantees that cannot be excluded under the Australian Consumer Law. You are entitled to a replacement or refund for a major failure and for compensation for any other reasonably foreseeable loss or damage. You are also entitled to have the goods repaired or replaced if the goods fail to be of acceptable quality and the failure does not amount to a major failure.

The benefits conferred by this warranty are in addition to the consumer guarantees and other rights and remedies in respect of the product which the consumer has under the Australian Consumer law.

Conditions of Warranty

All warranty coverage extends only to the original retail purchaser from the date of purchase. Please keep your receipt, tax invoice or other proof of purchase.

This warranty does not extend to any damage to a product caused by abuse, improper or abnormal usage, or repairs not provided by us or our Service Centre. Nor does this warranty extend to products used for commercial or rental purposes. This warranty does not cover ordinary wear, tear and weathering, failure to follow directions, improper installation, improper maintenance or acts of God (such as damage caused by storms, lightning, heavy winds and by snow or ice).

Making A Warranty Claim

In order to make a claim under this warranty please direct your enquiries to our Service Centre. You can contact them on our **Freecall 1800 465 070** number or send mail to them at National Service Centre: 2/24 Anderson Road, Smeaton Grange, NSW 2567 – if mailing please include your contact details.

A service representative will then assist you in the appropriate action to be taken. For efficient processing of your enquiry please have proof of purchase, the date of purchase and the retailer name you purchased the item from, and the brand on the product. Photos of the product and scans of receipts may be requested to assist with your claim.

Warranty Information (cont)

The service centre representative will assess the claim, if:

- 1) **There is a minor fault**, they can offer either a replacement spare part, replacement unit, repair or other suitable remedy.
- 2) **There is a major fault**, they can offer a replacement, repair or suggest you return to the store you purchased it from for a full refund.

PLEASE NOTE: a request for compensation will need documentary evidence of the loss or damage suffered. It will also need to be evidenced that such a loss was a reasonably foreseeable result of a failure to comply with a consumer guarantee under the Australian Consumer Law.

- 3) **The product was damaged through abnormal use**, no refund or repair can be offered.

The sending of replacements, spare parts or the cost of repair carried out will be organized and covered by the Service Centre. If collection of the item is required this will be organized by the Service Centre and at our expense. Do not return any products without authorization as this will be at your expense.

Our sales and service centre has been set up to provide assembly assistance, replacement parts and accessories, and to efficiently handle all warranty related matters. Please note upon receiving your warranty claim our Service Centre will send, via post or email, a repair and refurbished goods or parts notice.

SERVICE CENTRE

Contact details and hours of operation.

Freecall 1800 465 070

9:00am – 4:30pm Monday to Friday (excluding Public Holidays)

9:00am – 3:00pm Saturday

This product is warranted and distributed by:

Action Sports of 48B Egerton St, Silverwater NSW, 2128

Phone: (02) 8799 3500

© 2019 Action Sports Equipment Pty Ltd.