



2 Piece Table Tennis Table

S001804

Instruction Manual



WARNING: To ensure your safety, please do not attempt to assemble this product without reading this instruction manual carefully. Failure to comply with this warning may result in injury or property damage.

- Prior to assembly, this product includes small parts/accessories that are not suitable for children under 3 years of age as they may cause a choking hazard.
- This product should be assembled by an adult.
- Please check that all hardware is fitted tightly prior to use of this product.
- Only use this product on a level flat surface.
- This product is designed for indoor use only.
- Do not sit, climb or lean on this product.

Contents

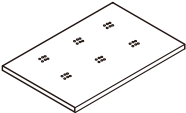


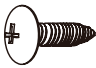
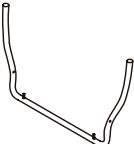
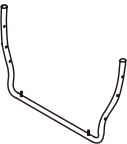

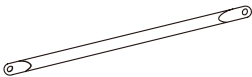
- 3 Important Safety Information**
- 4 Parts List**
- 6 Assembly Instructions**
- 14 Folding your table for storage**
- 15 Warranty Information**


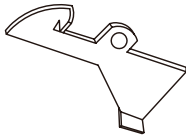
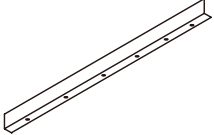
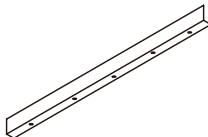



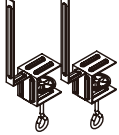
Important Safety Information

To reduce the risk of serious injury, read the entire manual before you assemble or operate this equipment. In particular, please note the following safety precautions. Please keep this manual in a safe place for future reference.

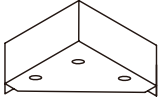
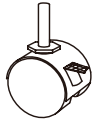


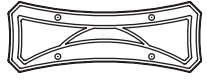

1. Prior to assembly, this product contains small part/accessories that are not suitable for children under 3 years of age as they may cause a choking hazard.
2. It is the responsibility of the owner to ensure that all users of this product are adequately informed of all warnings and precautions. This product is not intended for use by persons (including children) with reduced physical, sensory or mental capabilities; or lack of experience and knowledge unless they have been given supervision or instruction concerning use of the product by a person responsible for their safety.
3. This product should be assembled by an adult.
4. Keep this product indoors, away from moisture and dust. Do not put this product in a covered patio or near water. This product is designed for indoor use only.
5. Place this product on a level surface with at least a 1.5m diameter of clear space surrounding the unit.
6. Always examine your table before use to ensure all hardware is fitted tightly.
7. Care must be taken when lifting or moving the product to avoid damaging the legs.
8. Do not sit, climb, or lean on the product.
9. To clean the product, spray furniture polish onto a cloth and wipe down the product.


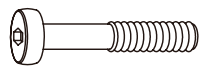
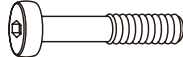


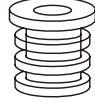
Parts List

Part No.	Description	Qty
1	 Table Surface	2
2	 Allen Key	1
3	 M6 Nut	18
4	 M5x12mm Screw	75
5	 Curved Outer Leg with Cap	2
6	 Curved Inner Leg with Cap	2
7	 Linkage Tube with Stop Bracket	2
8	 Linkage Tube	2

Part No.	Description	Qty
9	 Spacer	8
10	 Gravity Lock	2
11	 End Panel	2
12	 Side Panel	4
13	 Safety Strap-Long	1
14	 Safety Strap-Short	2
15	 Net	1
16	 Net Post	2

Parts List (cont)

Part No.	Description	Qty
17	 Plastic Corner	4
18	 Wheel	4
19	 Leg Bracket	12
20	 Spanner	1
21	 Logo Panel with frame	2
22	 T-Washer	2

Part No.	Description	Qty
23	 M4x12mm Screw	44
24	 M6x50mm Bolt	10
25	 M6x60mm Bolt	8
26	 Washer	36
P1	 Outer Leg Cap	4
P2	 Inner Leg Cap	4

Note: Some of the parts listed above are pre-assembled to the master component and may not be supplied separately.

Ruler - Use this ruler to help correctly identify the hardware



Assembly Instructions

Note: Find a clean level place to begin assembly of your table tennis table. We recommend that two adults assemble this product. Before beginning assembly, remove all of the parts from the carton to ensure that there are no parts missing. In the event that you notice that there are some parts missing, please contact our National Service Centre to arrange for replacements to be sent out. Details can be found in the warranty pages found at the back of this manual.

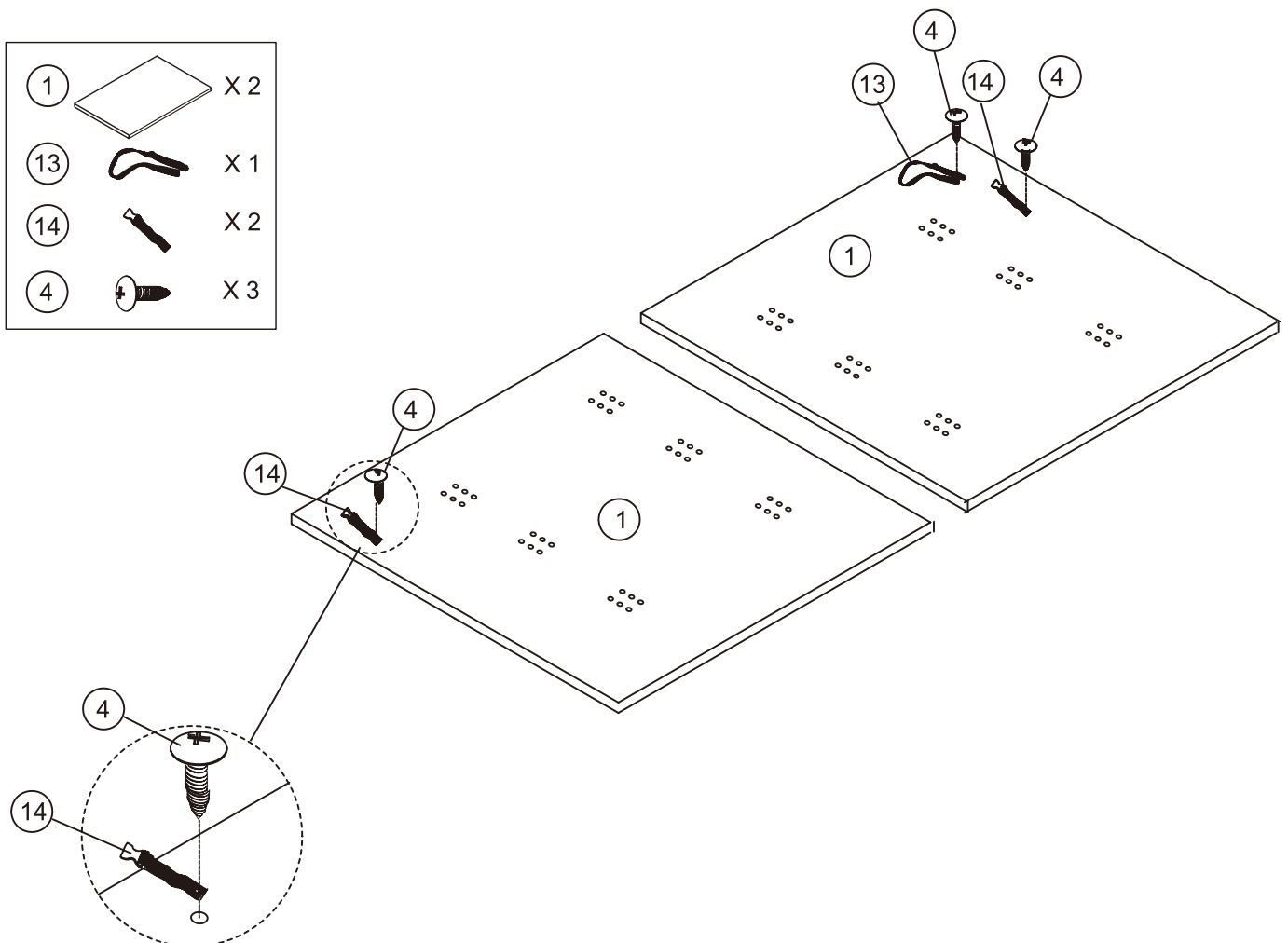
Note: A spanner and allen key have been included in the carton to help with assembly. A phillips head screwdriver and flat head screwdriver may be required to assemble the product, these are not included. A drill may also be used during assembly, however ensure that you use a low torque setting and extreme caution.

Step 1

Align the two halves of the Table Surface (1) so that the pre-drilled holes line up.

Attach 1 x Safety Strap Long (13) & 1 x Safety Strap Short (14) to one side of the Table Surface (1) using 2 x M5x12mm Screws (4).

Attach 1 x Safety Strap Short (14) to the other side of the Table Surface (1) using 1 x M5x12mm Screw (4).



Assembly Instructions (cont)







Step 2

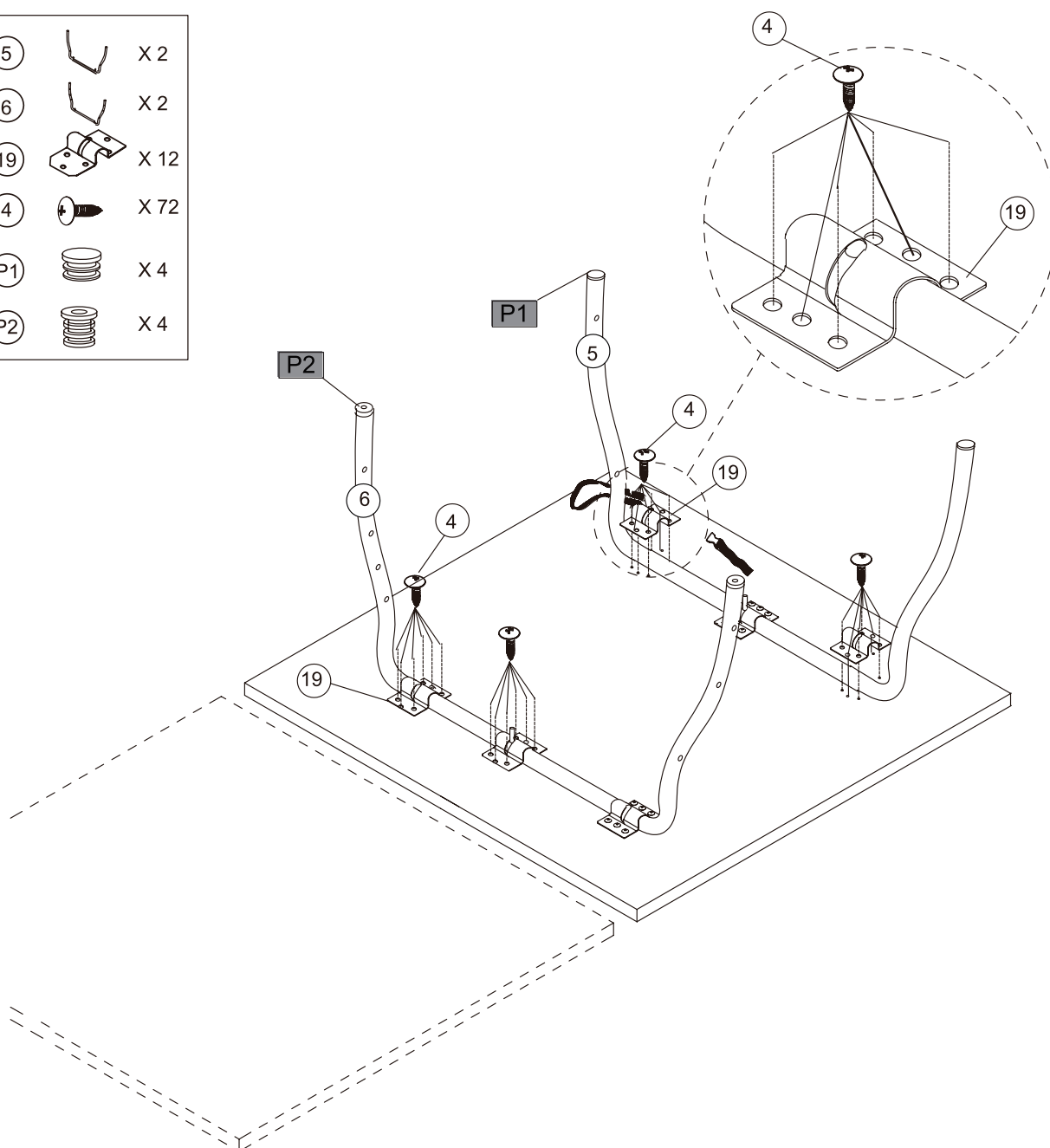
Place one Curved Outer Leg with Cap (5) at the player end of one half of the Table Surface (1) and secure this into place using 3 x Leg Brackets (19) and 18 x M5x12mm Screws (4).

Note: Ensure that the oval shaped cut-out in the Leg Brackets (19) face towards the centre of the table.

Place one Curved Inner Leg with Cap (6) at the centre end of one half of the Table Surface (1) and secure this into place using 3 x Leg Brackets (19) and 18 x M5x12mm Screws (4).

Repeat the above instructions for the other half of the Table Surface (1).

5		X 2
6		X 2
19		X 12
4		X 72
P1		X 4
P2		X 4



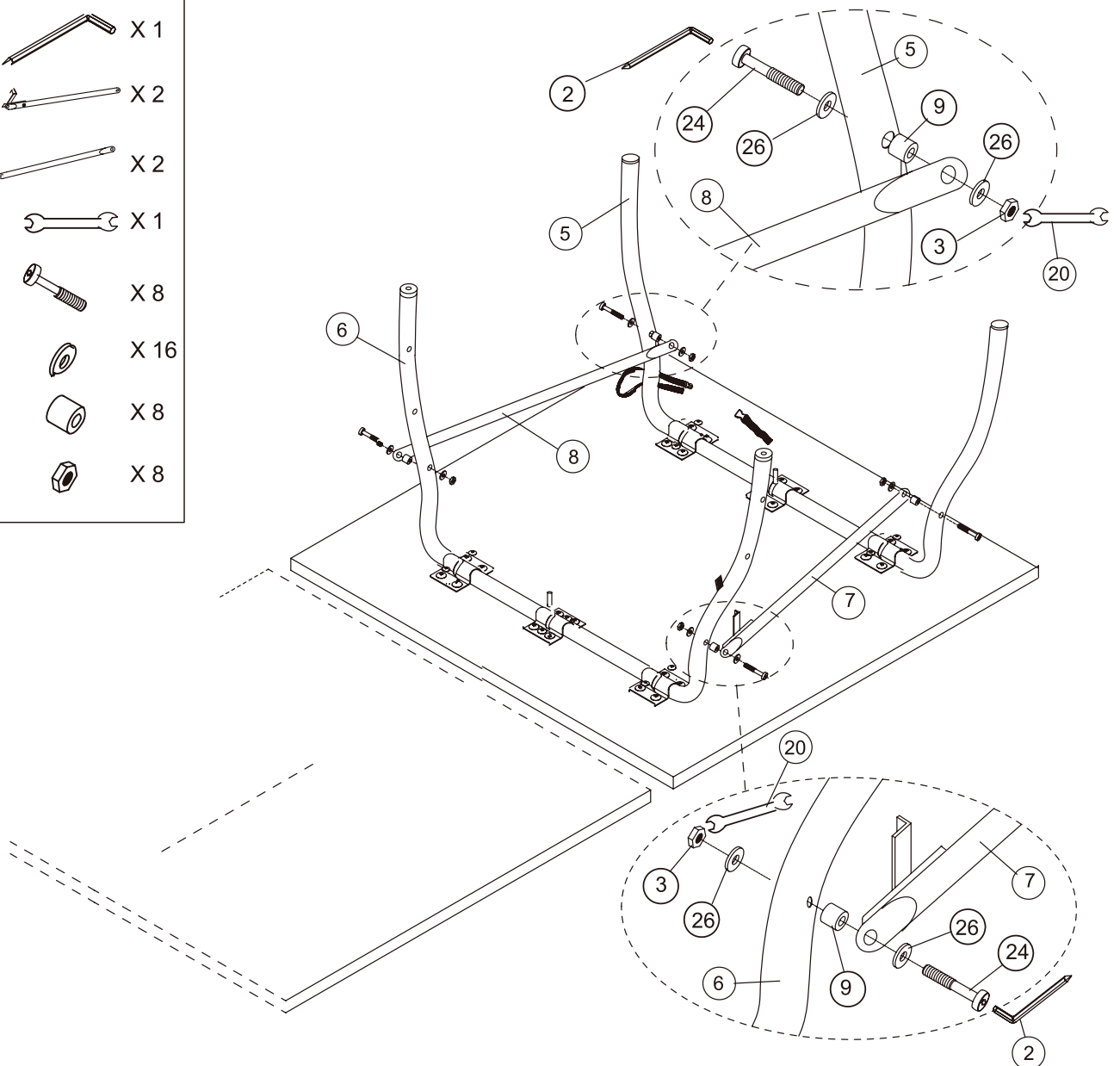
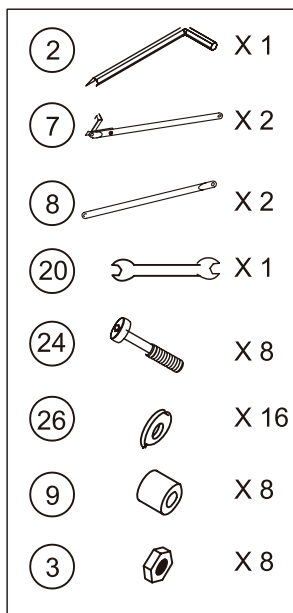
Assembly Instructions (cont)

Step 3

Attach one end of Linkage Tube (8) to the inside of Curved Outer Leg (5) using 1 x M6x50mm Bolt (24), 2 x Washers (26), 1 x Spacer (9) & 1 x M6 Nut (3). Attach the other end of the Linkage Tube (8) to the outside of Curved Inner Leg (6) using 1 x M6x50mm Bolt (24), 2 x Washers (26), 1 x Spacer (9) & 1 x M6 Nut (3).

Attach the end of Linkage Tube with Stop Bracket (7) to the inside of Curved Outer Leg (5) using 1 x M6x50mm Bolt (24), 2 x Washers (26), 1 x Spacer (9) and 1 x M6 Nut (3). Attach the other end of the Linkage Tube (7) to the outside of Curved Inner Leg (6) using 1 x M6x50mm Bolt (24), 2 x Washers (26), 1 x Spacer (9) & 1 x M6 Nut (3).

Repeat the above instructions for the other side of the Table Surface (1).



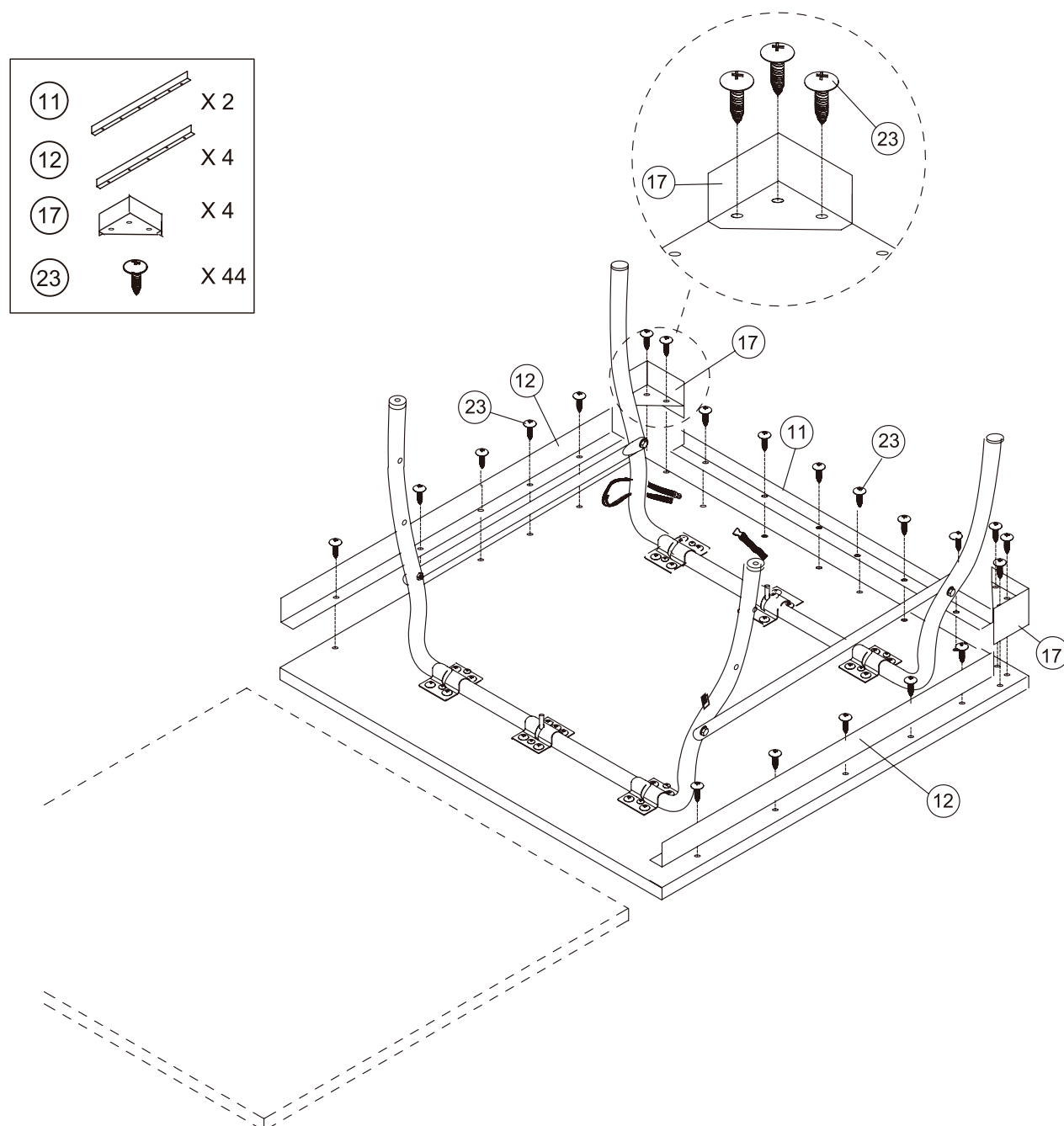
Assembly Instructions (cont)

Step 4

Place 2 x Plastic Corners (17) flush onto the two corners at the player end of the Table Surface (1) and secure them into place using 6 x M4x12mm Screws (23).

Place 1 x End Panel (11) between the Plastic Corners (17) and flush against the player end of the Table Surface (1), secure this into place using 6 x M4x12mm Screws (23). Place 2 x Side Panels (12) flush along the side edges of the Table Surface (1) and secure them into place using 10 x M4x12mm Screws (23).

Repeat the above instructions for the other side of the Table Surface (1).



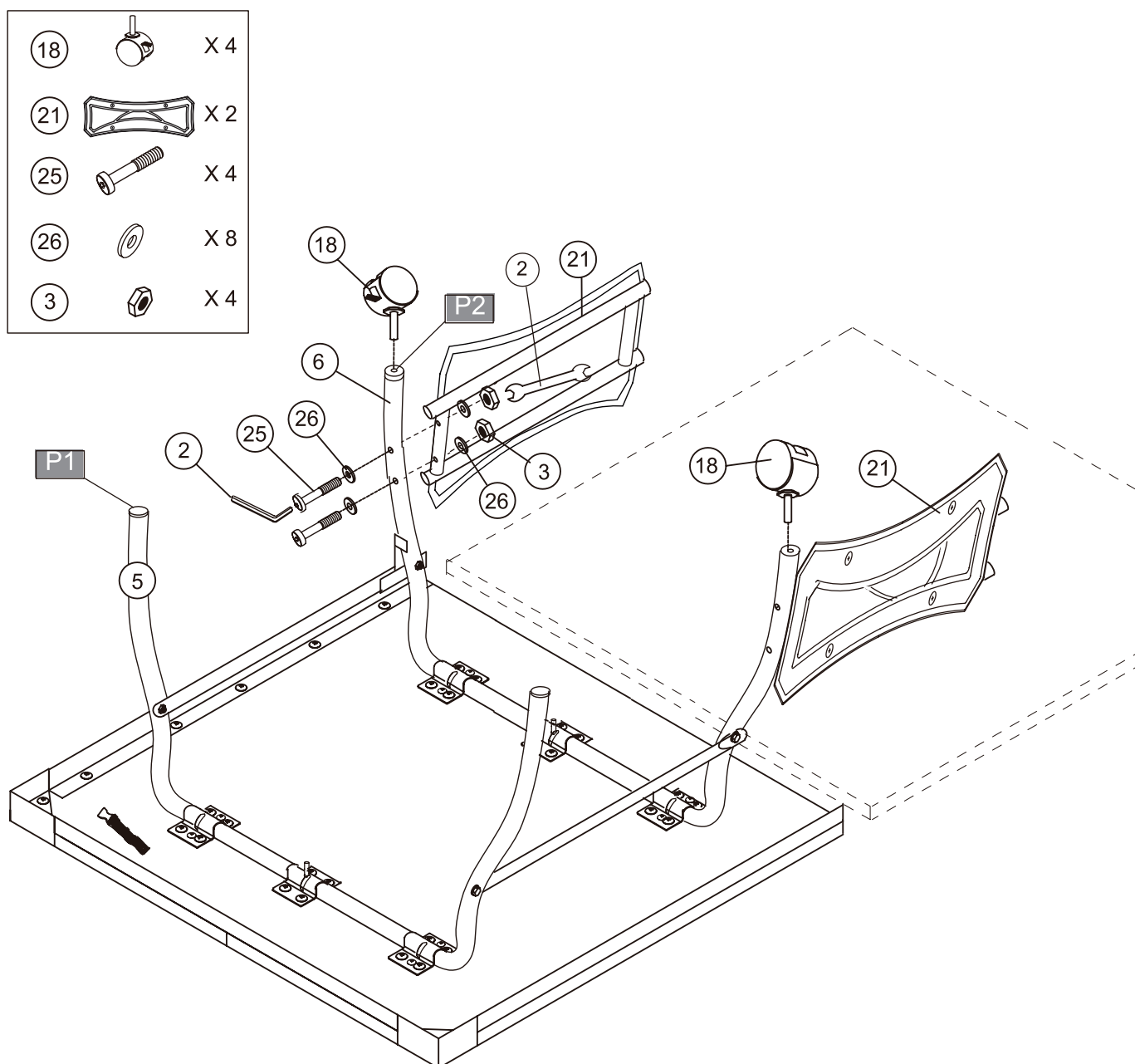
Assembly Instructions (cont)

Step 5

Ensure the Outer Leg Caps (P1) and Inner Leg Caps (P2) are inserted into the ends of Curved Outer Leg (5) and Curved Inner Leg (6). Attach 2 x Wheels (18) to the end of the Curved Inner Leg (6) on both sides of the Table Surface (1).

Attach 2 x Logo Panels with Frame (21) to Curved Inner Leg (6) using 4 x M6x60mm Bolts (25), 8 x Washers (26) & 4 x M6 Nuts (3). At this stage, turn both of the Table Surface (1) over so they are in the upright position.

Note: Lift the Table Surface (1) off the floor and turn in the air, do not lean the Table Surface (1) on its legs!



Assembly Instructions (cont)




Step 6

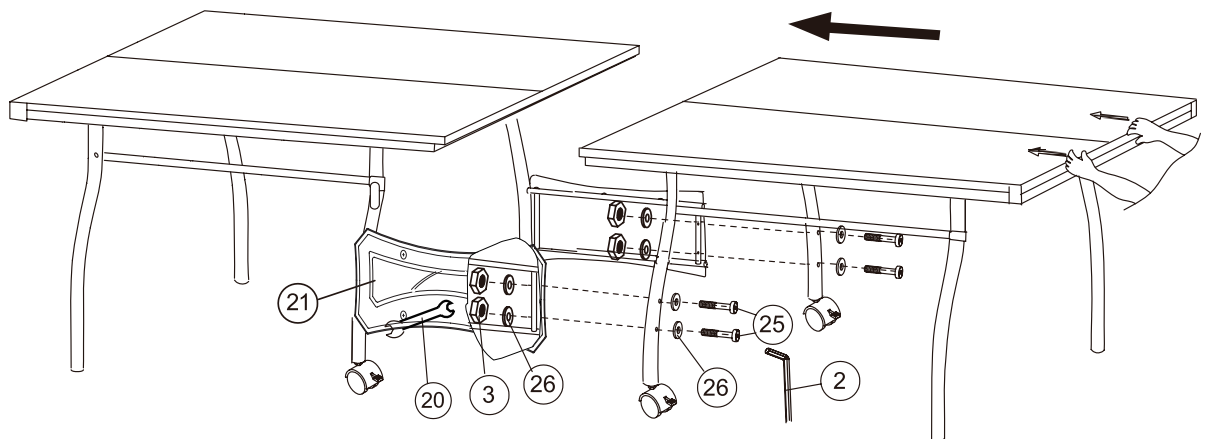
Place both sides of the table Surface (1) together so they are as close together as possible.

Note: Be careful not to push either side of the Table Surface (1) as this will cause the legs to fold.

Attach the 2 x Logo Panel with Frame (21) to the Curved Inner Leg (6) on the opposite side of the Table Surface (1) using 4 x M6x60mm Bolts (25), 8 x Washers (26) & 4 x M6 Nuts (3).

Note: The gap between the two sides of the Table Surface (1) should be approximately 1 - 1.3cm.

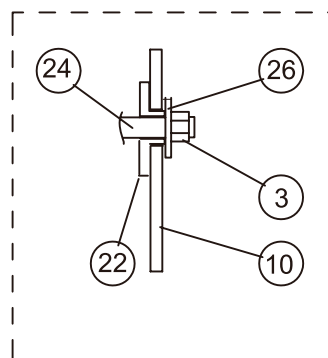
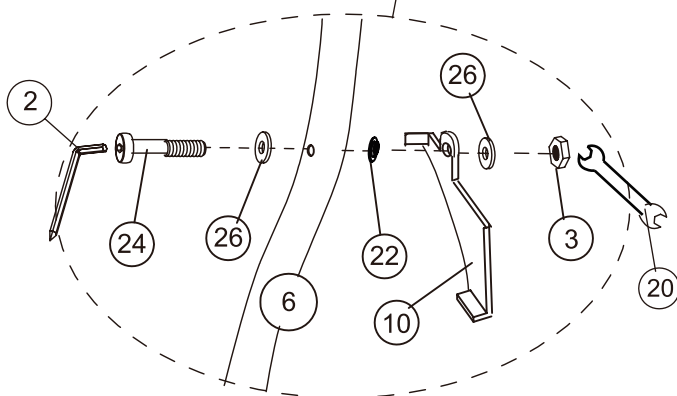
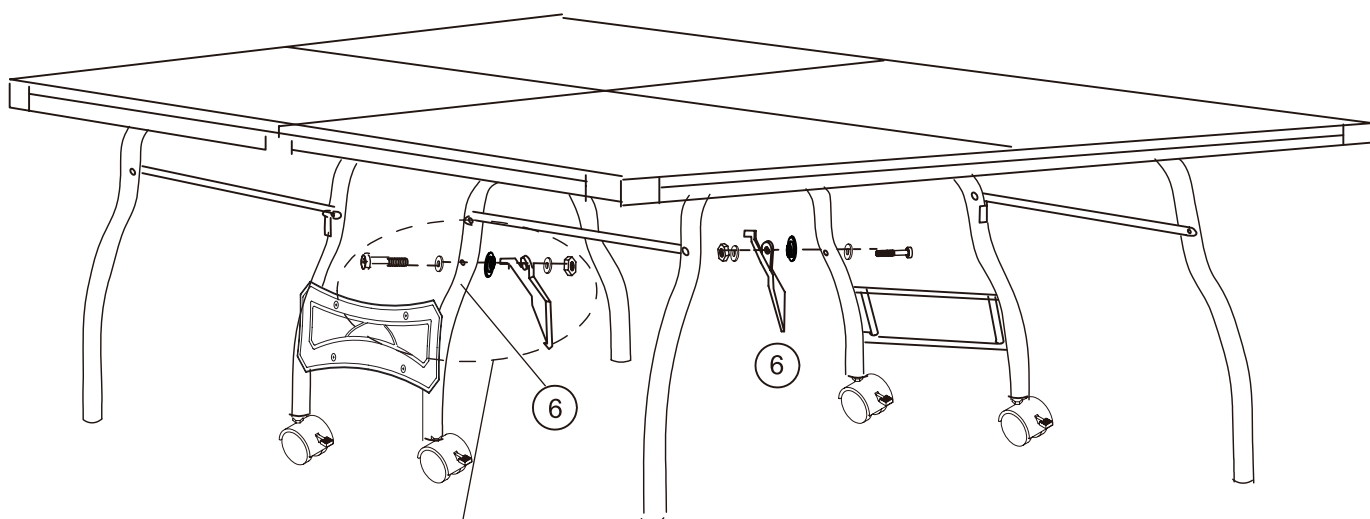
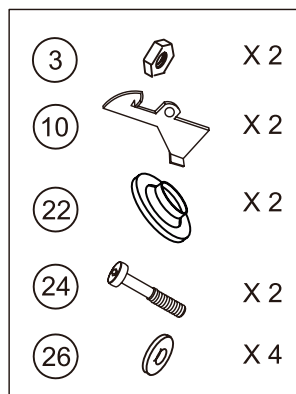
25		X 4
26		X 8
3		X 4



Assembly Instructions (cont)

Step 7

Attach 2 x Gravity Locks (10) to the left side of the Curved Inner Leg (6) on each half of the Table Surface (1) using 2 x M6x50mm Bolts (24), 4 x Washers (26), 2 x T-Washers (22) & 2 x M6 Nuts (3).

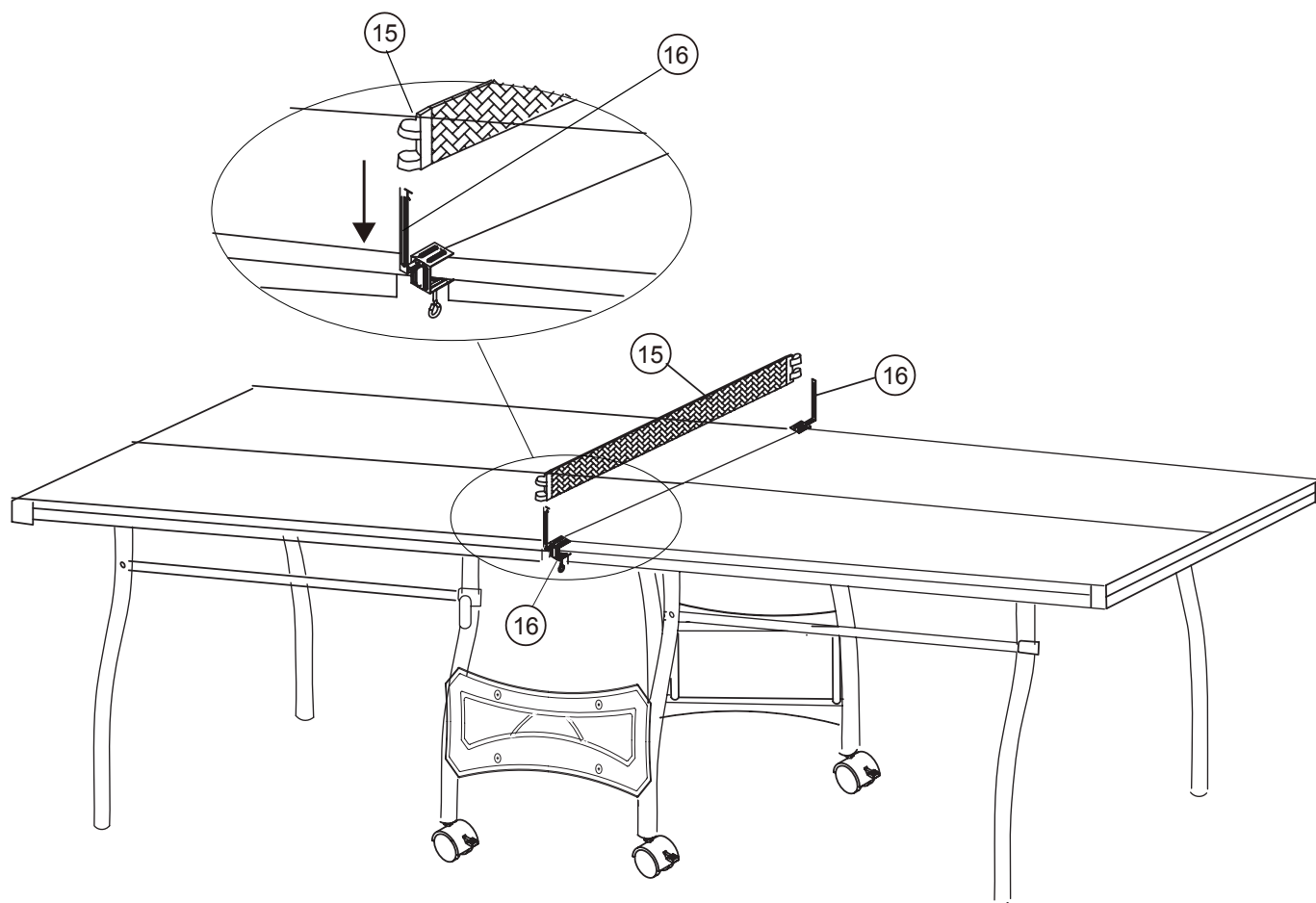
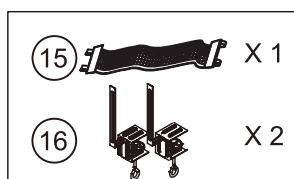


Assembly Instructions (cont)

Step 8

Place one end of the Net (15) over each of the Net Posts (16). Take 1 x Net Post (16) and secure it to the Table Surface (1) by ensuring that a flat surface at the base of the Net Post (16) is on top of and beneath the Table Surface (1) at the middle of the table. Then tighten the bolt on the base of the Net Post (16).

Repeat this for the other Net Post (16).

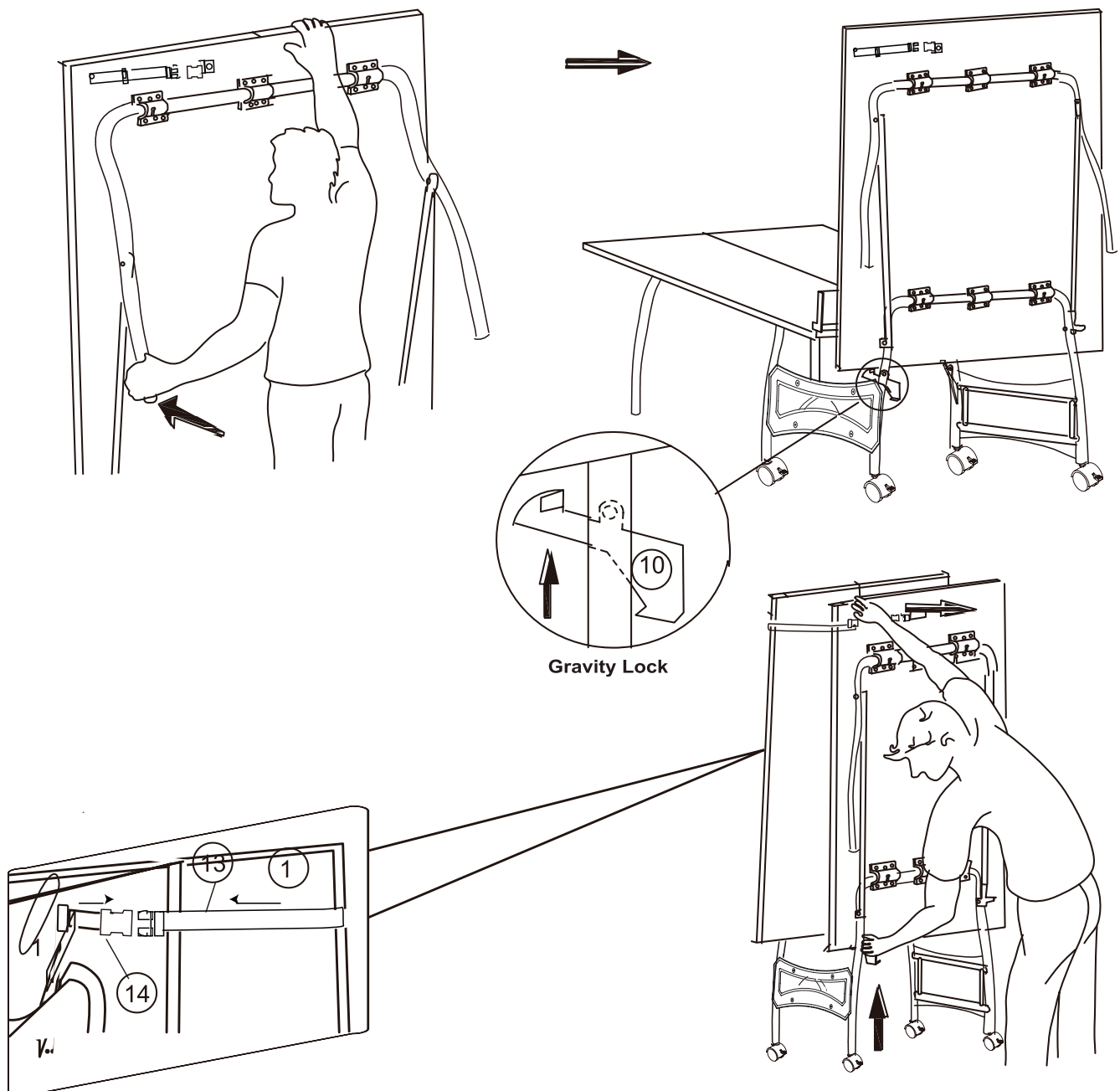


Folding your table for storage

Ensure that the wheel lock is engaged. Remove the nets posts from the table and lift the player end of one half of the table surface towards the middle of the table. Once the table surface is in the vertical position, secure it in place using the gravity lock by placing the hook underneath the bottom edge of the table surface.

Lift the opposite half of the table surface towards the middle of the table. Once the table surface is in the vertical position, secure it in place using the gravity lock by placing the hook underneath the bottom edge of the table surface.

Take the safety strap long and wrap this around the two halves of the table surface and clip it into the safety strap short on the opposite half of the table surface.



Warranty Information

Congratulations on your purchase!

This **2 Piece Table Tennis Table** is warranted to be free from defects in material and workmanship under normal use and service conditions for a period of **12 months** from the date of purchase of this article. Evidence of unfair usage or incorrect adjustment by the owner will void this promise.

Our goods come with guarantees that cannot be excluded under the Australian Consumer Law. You are entitled to a replacement or refund for a major failure and for compensation for any other reasonably foreseeable loss or damage. You are also entitled to have the goods repaired or replaced if the goods fail to be of acceptable quality and the failure does not amount to a major failure.

The benefits conferred by this warranty are in addition to the consumer guarantees and other rights and remedies in respect of the product which the consumer has under the Australian Consumer law.

Conditions of Warranty

All warranty coverage extends only to the original retail purchaser from the date of purchase. Please keep your receipt, tax invoice or other proof of purchase.

This warranty does not extend to any damage to a product caused by abuse, improper or abnormal usage, or repairs not provided by us or our Service Centre. Nor does this warranty extend to products used for commercial or rental purposes. This warranty does not cover ordinary wear, tear and weathering, failure to follow directions, improper installation, improper maintenance or acts of God (such as damage caused by storms, lightning, heavy winds and by snow or ice).

Making A Warranty Claim

In order to make a claim under this warranty please direct your enquiries to our Service Centre. You can contact them on our **Freecall 1800 465 070** number or send mail to them at National Service Centre: 2/24 Anderson Road, Smeaton Grange, NSW 2567 – if mailing please include your contact details.

A service representative will then assist you in the appropriate action to be taken. For efficient processing of your enquiry please have proof of purchase, the date of purchase and the retailer name you purchased the item from, and the brand on the product. Photos of the product, and scans of receipts, may be requested to assist with your claim.

Warranty Information (cont)

The service centre representative will assess the claim. If:

- 1) **There is a minor fault**, they can offer either a replacement spare part, replacement unit, repair or other suitable remedy.
- 2) **There is a major fault**, they can offer a replacement, repair or suggest you return to the store you purchased it from for a full refund.

Please note: a request for compensation will need documentary evidence of the loss or damage suffered. It will also need to be evidenced that such a loss was a reasonably foreseeable result of a failure to comply with a consumer guarantee under the Australian Consumer Law.

- 3) **The product was damaged through abnormal use**, no refund or repair can be offered.

The sending of replacements, spare parts or the cost of repair carried out will be organized and covered by the Service Centre. If collection of the item is required this will be organized by the Service Centre and at our expense. Do not return any products without authorization as this will be at your expense.

Our sales and service centre has been set up to provide assembly assistance, replacement parts and accessories, and to efficiently handle all warranty related matters. Please note upon receiving your warranty claim our Service Centre will send, via post or email, a repair and refurbished goods or parts notice.

SERVICE CENTRE

Contact details and hours of operation.

Freecall 1800 465 070

9:00am – 4:30pm Monday to Friday (excluding Public Holidays)

9:00am – 3:00pm Saturday

This product is warranted and distributed by:

Action Sports of 48B Egerton St, Silverwater NSW, 2128

Phone: (02) 8799 3500