

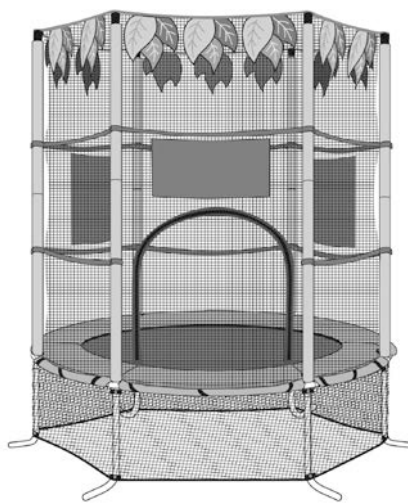


Action Sports Equipment Pty Ltd.

ACTION 4.5FT TRAMPOLINE MERMAID

Model: S001271-5

Assembly, Installation, Care, Maintenance and Use Instructions



IMPORTANT

Please read and retain this manual as it will assist with identification for parts and service.

Read these materials prior to assembling and using of this product

- Warning -

This trampoline is intended for use by children from 3 to 8 years of age. It is NOT suitable for children under 3 years of age.

This trampoline is subject to a 34kgs user weight limit.

Do not allow more than one person on the trampoline at a time.

Do not allow young children to use unless supervised by an adult.

This trampoline is designed for domestic use only, and is not suitable for gymnastics or high level acrobatics

Action Sports has reproduced extracts from AS4989-2006 Clauses 3.2.1 – 3.2.2; 3.3.1.2 & 3.3.2.1 and **Appendices A & B**. These have been reproduced with permission from SAI Global under licence 1004-C016. The relevant standard may be purchased online at www.saiglobal.com

Parts & Service Enquiries: 1800 465 070 (Australia); 09 477 6020 (New Zealand)

Or email service@actionspares.com.au (Australia); orders@bernsport.co.nz (New Zealand)

Sales Enquiries: 1800 777 137 (Australia); 09 477 6020 (New Zealand)

Or visit our website, www.actionsports.com.au

Contents

SAFETY INFORMATION	3
ADDITIONAL SAFE USE INSTRUCTIONS	4
HOW TO USE YOUR TRAMPOLINE.....	4
FUNDAMENTAL TRAMPOLINE SKILLS.....	5
JUMPER’S ROLE IN PREVENTING ACCIDENTS	5
SUPERVISOR’S ROLE IN PREVENTING ACCIDENTS	6
INSTALLATION AND MAINTENANCE INSTRUCTIONS	7
PARTS LIST.....	7
TRAMPOLINE ASSEMBLY	8
Frame Assembly.....	8
Mat Assembly.....	9
Frame Pad and Skirting Assembly	10
Pole Assembly.....	12
Net Assembly	12
CARE & MAINTENANCE OF YOUR TRAMPOLINE.....	15
DISPOSAL INFORMATION	15
WARRANTY INFORMATION.....	16

WARNING

SAFETY INFORMATION, INSTALLATION AND MAINTENANCE INSTRUCTIONS: READ THESE MATERIALS PRIOR TO ASSEMBLING AND USING THE TRAMPOLINE.

SAFETY INFORMATION

● **Specific Use Limitation**

- (a) This trampoline is suitable for users aged 3 to 8
- (b) Do not use trampoline and enclosure without mature and knowledgeable supervision.
- (c) Do not attempt or allow somersaults.
- (d) Do not allow more than one person on the trampoline at any time.
- (e) Do not use the trampoline and enclosure when wet.
- (f) Do not jump onto or off the trampoline and enclosure.
- (g) Do not use a trampoline and enclosure while under the influence of alcohol or drugs.
- (h) Do not allow any activity underneath the trampoline.
- (i) This trampoline has been designed for users to be barefooted or only wearing socks when using the trampoline. Footwear must not be worn.
- (j) Foreign objects including wakeboards, snowboards, skateboards, bicycles or any other items are not to be used with the trampoline. Use of any foreign object on the trampoline will void the product warranty.
- (k) Inspect the trampoline and enclosure before each use. Make sure the frame padding is correctly and securely positioned. Replace any worn, defective, or missing parts.
- (l) Keep objects away which could interfere with the user. Maintain a clear area around, above, and under the trampoline and enclosure.
- (m) Learn fundamental bounces and body positions thoroughly before trying more advanced skills.

● **Safe Use Instructions**

- (a) Read all instructions before using the trampoline and enclosure.
- (b) Only allow one person on the trampoline at any time. Use by more than one person at the same time can result in serious injury.
- (c) Use the trampoline and enclosure only with mature, knowledgeable supervision at all times.
- (d) Inspect the trampoline and enclosure before each use. Make sure the frame padding is correctly and securely positioned. Replace any worn, defective, or missing parts.
- (e) Keep objects away which could interfere with the user. Maintain a clear area around, above, and under the trampoline.
- (f) Learn fundamental bounces and body positions thoroughly before trying more advanced skilled.

ADDITIONAL SAFE USE INSTRUCTIONS

- (a) Misuse and abuse of the trampoline and enclosure is dangerous and can cause serious injuries.
- (b) Focus your eyes on the edge of the trampoline. This will help control your bounce.
- (c) Avoid bouncing for too long. Do not bounce when tired.
- (d) Stop your bounce by flexing your knees as your feet come in contact with the trampoline bed. Learn this skill before you attempt any others.
- (e) Climb on and off the trampoline, do not jump. It is dangerous to jump from the trampoline to the floor or ground when dismounting, or onto the trampoline when mounting. Always use two hands on the frame getting on and off the trampoline. Never use springs or suspension elements as “hand grips”.
- (f) Learn fundamental bounces and body positions thoroughly before trying more advanced skills. A variety of trampoline activities can be carried out by performing the basic fundamentals in various series and combinations, or performing one fundamental after the other, with or without bounces between them.
- (g) Avoid bouncing too high. Stay low until you can control your bounce and repeatedly land in the centre of the trampoline.
- (h) Do not use the trampoline as a springboard to other objects. Use the trampoline only for trampoline style bouncing.
- (i) Keep objects away that could interfere with the person jumping.
- (j) It is advisable not to bounce immediately after a meal.
- (k) Do not attempt knee drops as these can cause injury if you attempt this skill without some experience or personal instruction.
- (l) Your clothing should allow plenty of body freedom, but no flapping shirts or skirts to distract your concentration.
- (m) No buckles or jewellery should be worn, as these could damage the trampoline mat and cause injury to you.
- (n) Do not wear shoes while bouncing on the trampoline.

HOW TO USE YOUR TRAMPOLINE

- Always bounce at the centre of the trampoline mat. Bouncing near the edge of the trampoline mat can lead to injury and can also stretch the springs. The frame pad is not designed nor intended to support the weight of the trampoline user. Do not step or jump directly onto the frame pad.
- Avoid bouncing too high. Stay low until you can control your bounce and land consistently in the middle of the trampoline mat.
- To regain control and stop your jump, bend your knees quickly when you land.
- Allow each jumper a brief turn on the trampoline. Extended bouncing exposes an over tired user to an increased risk of injury.
- Do not use the trampoline when under the influence of alcohol or drugs.
- The trampoline mat is several feet from the ground. Jumping off the trampoline to the

ground or any other surface may result in injury. Jumping onto the trampoline from a roof, deck, or other object also represents a risk of injury. Smaller children may need assistance getting up on or down from the trampoline. Mounting and dismounting properly should be a strict rule from the very beginning. Users should climb onto the trampoline by placing their hands on the frame and stepping or rolling up onto the frame, across the springs, and onto the mat (bed). Do not step directly on the frame pad or grasp the frame pad when mounting or dismounting the trampoline. Users should always place their hands on the frame while mounting or dismounting. To dismount, jumpers should walk to the side of the mat (bed), bend over and place one hand on the frame, then step from the mat to the ground.

- Injury may result from hitting the frame or falling through the springs while jumping or getting on or off the trampoline. Stay in the centre of the trampoline mat when jumping. **BE SURE TO KEEP THE FRAME PAD IN PLACE TO COVER THE FRAME AT ALL TIMES.** Do not step or jump directly onto the frame pad as it is not designed nor intended to support the weight of the user.

FUNDAMENTAL TRAMPOLINE SKILLS

- **BASIC SKILLS - Bouncing**

The most important thing about bouncing is that it should be done with control in the centre of the bed. The basic bounce should always be low. High, reckless bouncing is dangerous and should never be allowed.

- **The Stop Bounce**

This technique allows the jumper to gain control by stopping quickly. It is achieved by keeping the feet in contact with the bed, and absorbing the rebound of the trampoline with the knees and waist. This skill should be the first skill learnt and should be employed whenever you feel out of balance, or land away from the center area.

To learn the stop bounce:

- (a) Stand in centre of the bed with your feet about hip-width apart.
- (b) Attempt about three easy bounces, keep them low and controlled.
- (c) Focus your eyes towards the perimeter of the trampoline while bouncing in order to keep your balance.
- (d) Stop the bounce by bending at your knees and hips on contact with the bed.

JUMPER'S ROLE IN PREVENTING ACCIDENTS

- Education on the part of the user is a must for safety. Users must first learn a low controlled bounce and the basic landing positions and combinations before proceeding to intermediate skills. Jumpers must understand why they have to master “control” before they can start thinking about other moves. Understanding the proper progression of skills in jumping on a trampoline must be the first lesson.




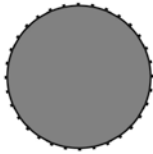
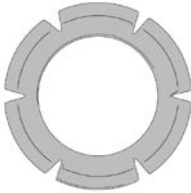
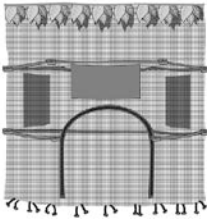
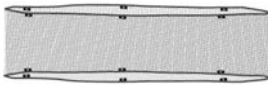




SUPERVISOR'S ROLE IN PREVENTING ACCIDENTS

- It is the responsibility of the supervisor(s) of trampoline users to provide knowledgeable and mature supervision. They need to know and enforce all the rules and warnings set forth in this manual in order to minimise the likelihood of accidents and injuries and to inform users of these rules. When supervision is unavailable or inadequate, this may require that the trampoline be disassembled, placed in a secure area, or otherwise secured against unauthorized use. It is the responsibility of the supervisor(s) to be sure that the users are fully aware of the safety guidelines which are printed on the pads.
- These instructions are issued in the interest of child safety, and we ask that you follow this advice.

These instructions are issued in the interest of child safety, and we ask you to follow our advice

INSTALLATION AND MAINTENANCE INSTRUCTIONS

PARTS LIST

Ref	Description	Illustration	Qty
A	Top Rail Tube		6
B	4-Way Connector		6
C	Leg Tube		6
D	Mat		1
E	Frame Pad		1
F	Net		1
G	Skirting		1
H	Upper Support Pole (with foam sleeves)		6
I	Lower Support Pole (with foam sleeves)		6
J	Elastic Toggle Loop		32
K	Screw (Ø4*16mm)		30
<p>Use the Parts List to ensure all parts are present. Contact Customer Service at 1800 465 070 (Australia); 09 477 6020 (New Zealand) if any parts are missing. Do not attempt to assemble the trampoline if any parts are missing.</p>			

Tools included in the item



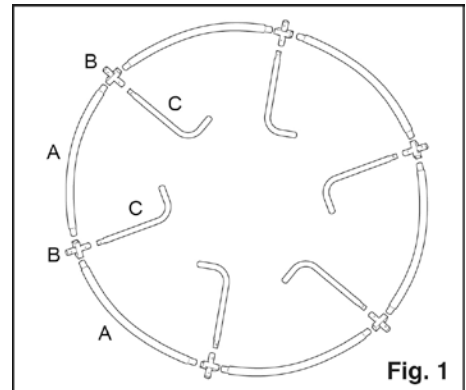
Screwdriver

TRAMPOLINE ASSEMBLY

Frame Assembly

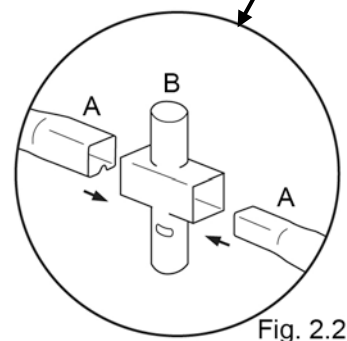
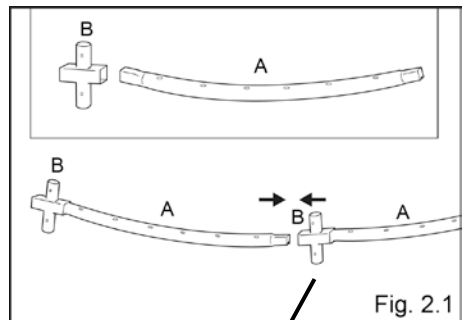
1. Lay out the parts on a clear dry level surface as shown in Figure 1.

The 4-Way Connectors (B) should be placed between each Top Rail.

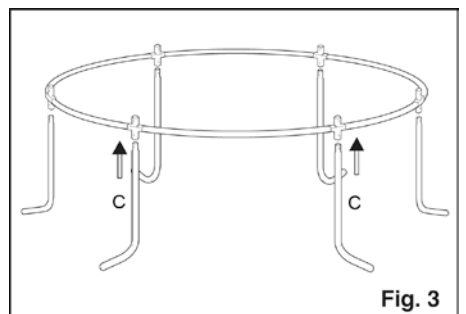


2. Connect the Top Rail Tube (A) by sliding it into the 4-Way Connector (B) to form the top rail loop as shown in Figure 2.1.

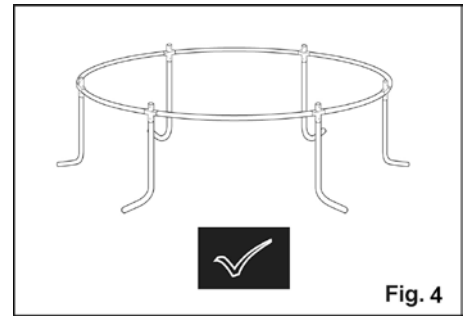
Attention: make sure the two ends with a groove on the Top Rail Tube (A) are facing down to the ground. See Fig. 2.2



3. To complete assembly of the Legs. Join the Leg Tube (C) to the Top Rail Loop and leave the hole without screw at this stage. The screw will be used in later steps when the skirting is connected as well.

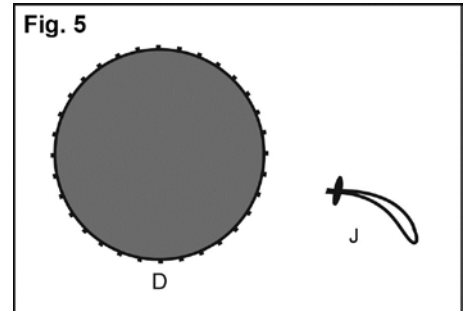


- Once completed, the frame of the Trampoline should look like Figure 4.

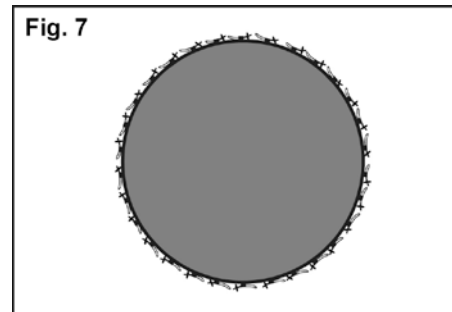
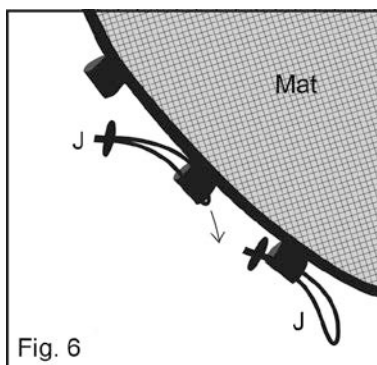


Mat Assembly

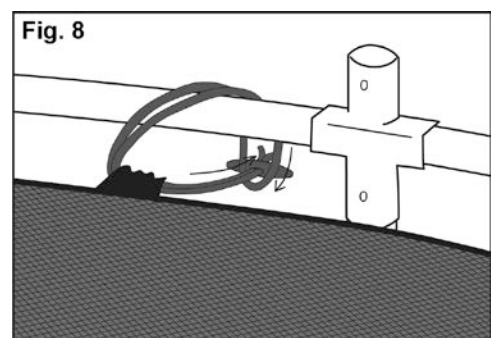
- Spread out the Mat (D) and the Elastic Toggle Loop (J) ready for assembly as shown in Figure 5.

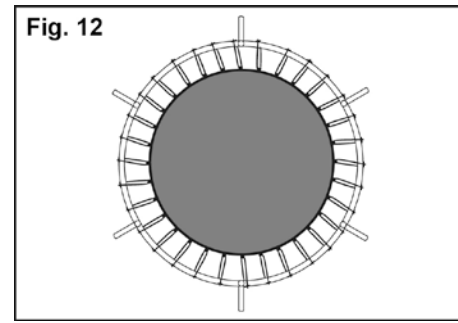
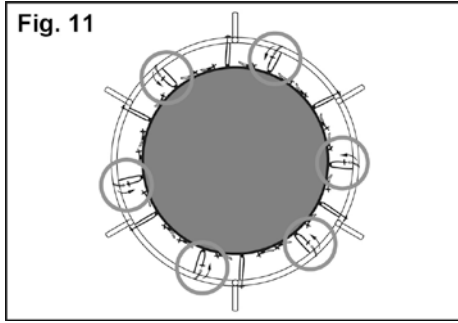
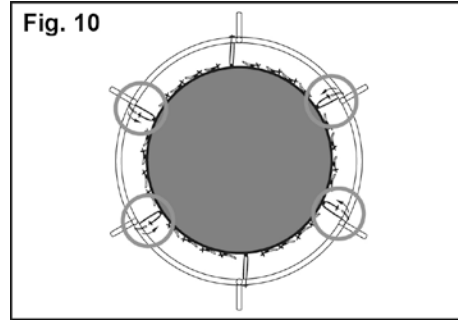
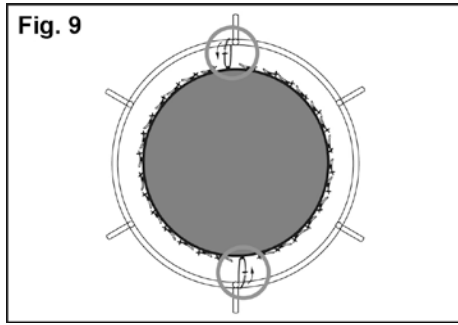


- Thread the Elastic Toggle Loop (J) through the Mat (D) one by one, when it is finished, it should look like Figures 6 & 7

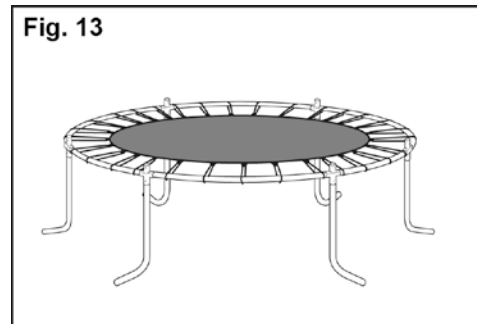


- Secure the Elastic Toggle Loop (H) to the Top Rail Tubes as shown in Figures 8 – 12.



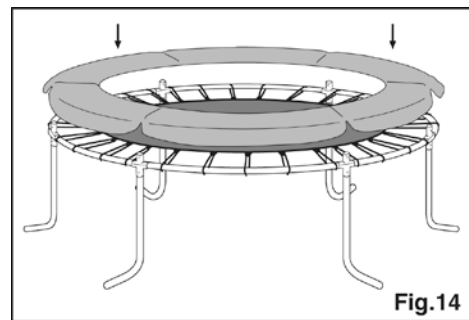


4. When the Elastic Toggle Loops have been properly connected, the trampoline should look like Figure 13.

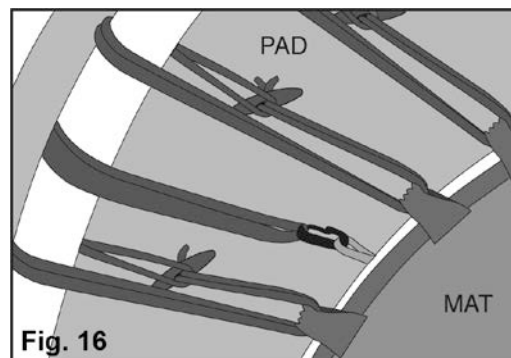
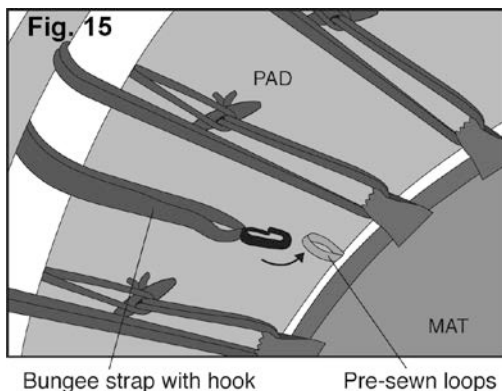


Frame Pad and Skirting Assembly

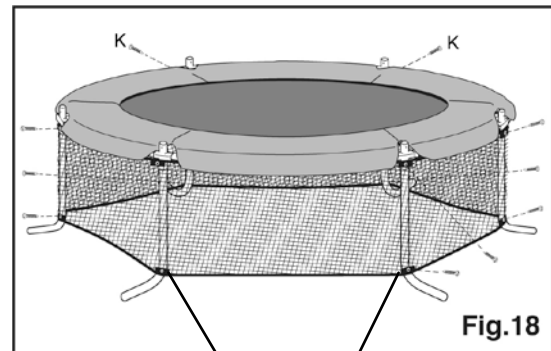
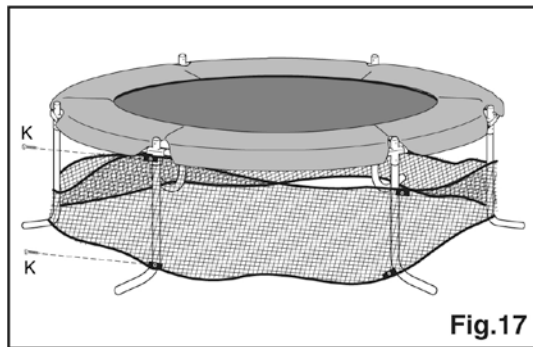
1. Place the Frame Pad (E) on the top of the trampoline as shown in Figure 14.



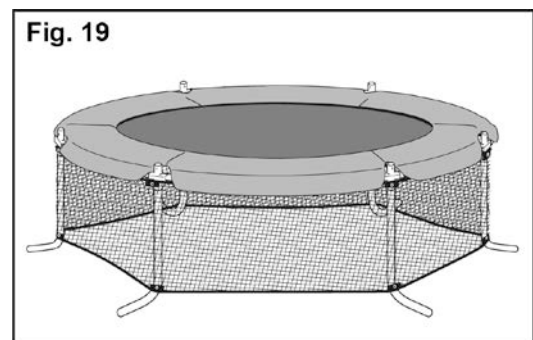
2. Straighten and adjust the hangover of the pad. Bring the bungee strap with clip around the outside of the frame and under the pad. Pull the bungee strap and clip to the pre-sewn loop. See Figures 15 & 16.



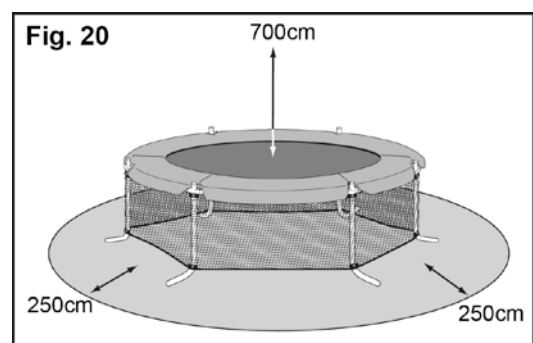
- Attach the skirting (G) to the bottom of the trampoline and secure with Screw (K). See Figures 17 & 18.



- When the screws have been properly screwed in the trampoline should look like Figure 19.



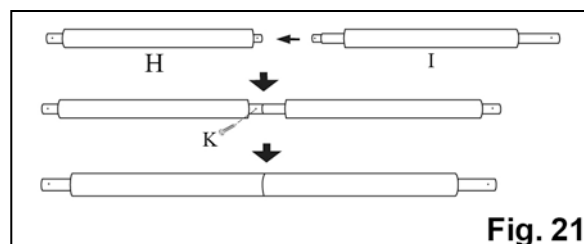
- The trampoline should be positioned in a Safe Play Area which has a clearance from all hazards of 250cm (2.5metres) beyond the trampoline on all side and 700cm (7metres) above the top. See Figure 20.



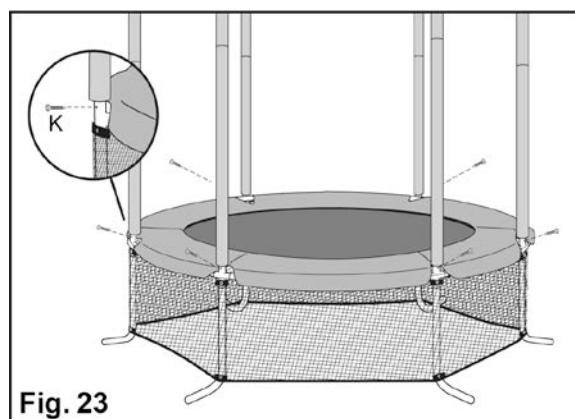
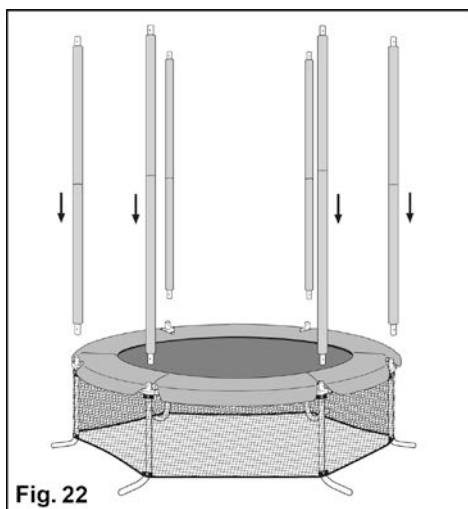
The trampoline should only be used and positioned in a safe play area, which is on level ground, free from all structures, landscaping, trees and branches, rocks, wires, sprinkler heads and other obstacles. Children can be seriously injured running or colliding into such obstacles.

Pole Assembly

1. Attach the Upper Support Poles (H) and the Lower Support Poles (I) which have both been pre-assembled with foam; and secure with Screw (K). See Figure 21.

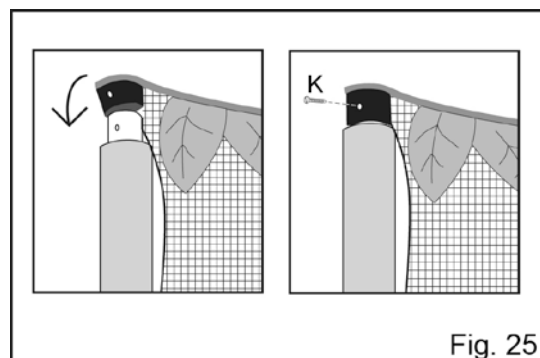
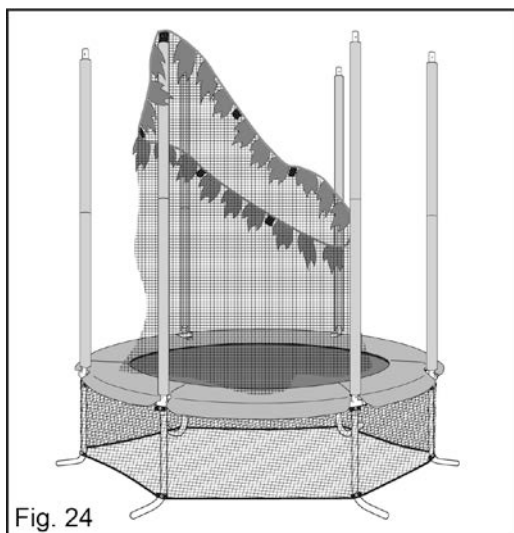


2. Insert each assembled Support Pole to every 4-Way Connector (B) of the trampoline in an upright position; and fasten with Screw (K). See Figures 22 & 23.



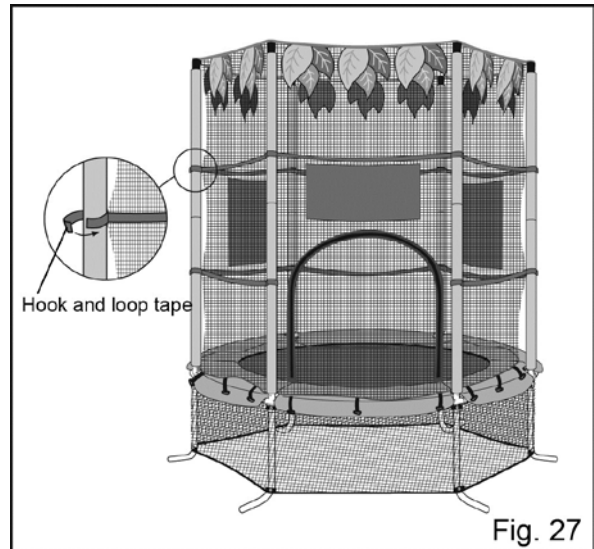
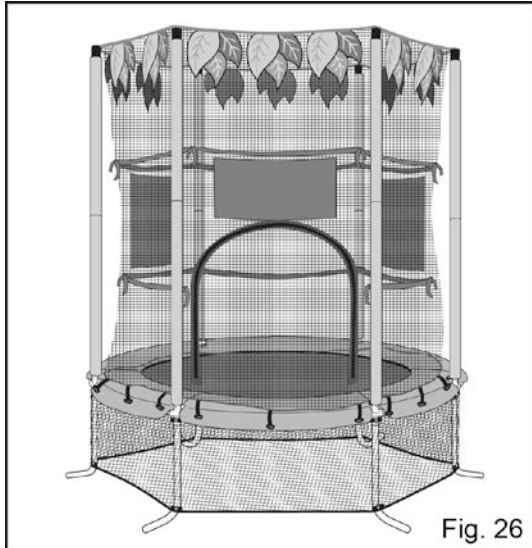
Net Assembly

1. Raise the net and attach the Net to the top of each Support Tube, align the hole and fasten with the Screw (K). See Figures 24 & 25.



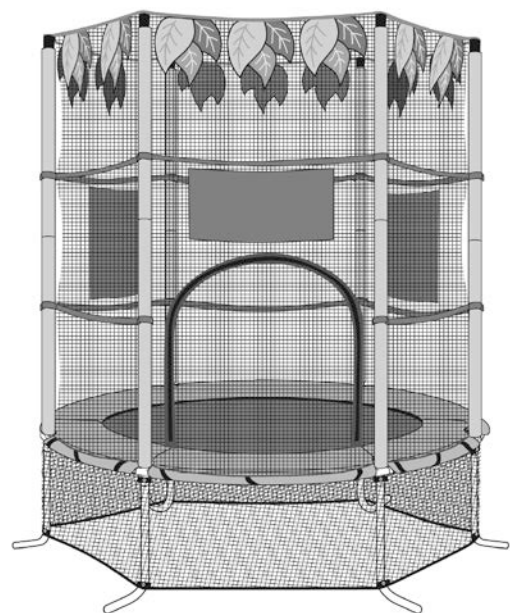
2. There is a row of sewn-in hook and loop tapes, two hook and loop tapes in line. Attach these hook and loop tapes securely to each of the poles. Adjust the net to make sure the hook and loop tapes are securely fastened.

The panel with a zipper doorway should be located in the place where it is easiest to get in and out of the trampoline. See Figures 26 & 27.



3. Inspect the whole trampoline to make sure all the loops, hooks and loop tapes and elastic straps are securely attached. Check that the enclosure is positioned evenly around the trampoline and that it is not under strain on any particular one point. **IMPORTANT** – When assembled, the padding should lie flat on the trampoline bed with the net tucked underneath.

There is a plastic warning placard enclosed with the enclosure package. Permanently affix this warning placard to the outside of the enclosure, next to the entrance.



GENERAL SAFETY ADVICE

IMPORTANT – PLEASE READ!

-WARNING-

- (a) Adequate overhead clearance is essential. A minimum of 7 m above the jumping mat is recommended. Provide clearance for wires, tree limbs, and other possible hazards.
- (b) Lateral clearance is essential. Place the trampoline away from walls, structures, fences, and other play areas.
- (c) Maintain a free space of minimum 2.5 m on all sides of the trampoline. This area should not include concrete, bitumen, brick or other hard surfaces as these can cause serious injuries.
- (d) Keep the trampoline on a level surface.
- (e) Use the trampoline in a well-lit area.

Please retain this information for future reference.

- WARNING -

Any trampoline, with or without an enclosure can be blown around in high winds and cause injury or damage. Do not use the trampoline in these conditions – only use trampolines in calm or non-windy conditions. In extreme cases, trampolines can be blown over or even become airborne. If aware of pending abnormal weather conditions, such as severe and gusty winds, or extreme storms, Action Sports advises dis-assembling the trampoline and enclosure and storing in a dry place. If you see fit, you may wish to anchor your trampoline as an added prevention against sudden high wind conditions.

For normal weather conditions, “normal weather anchoring kits” are also available for Action Trampolines. For more information please call 1800 46 50 70.

CARE & MAINTENANCE OF YOUR TRAMPOLINE

- Inspect the trampoline before each use and replace any worn, defective, or missing parts.
- The following conditions could represent potential hazards:
 - (i) Missing, improperly positioned, or insecurely attached frame padding, net or enclosure support system padding and pole caps.
 - (ii) Punctures, frays, tears, or holes worn in the bed, frame padding, barrier or support system padding.
 - (iii) Deterioration in the stitching or fabric of the bed, frame padding, barrier or support system padding.
 - (iv) Broken or stretched springs.
 - (v) A bent or broken frame or support system.
 - (vi) A sagging bed or barrier.
 - (vii) Sharp protrusions on the frame, padding or suspension system.
 - (viii) Damaged or degraded padding.
- The product must not be used until properly and fully installed and checked. Galvanised steel products may require occasional maintenance. If surface rust appears it should be removed with either a wire brush or coarse sandpaper, and the area treated with non-toxic paint.
- Foreign objects including wakeboards, snowboards, skateboards, bicycles or any other items are not to be used with the trampoline. Use of any foreign object on the trampoline will void all product warranty.
- Do not attach anything to the net that is not a manufacturer-approved accessory or part of the enclosure system.
- Do not hang from, kick, cut or climb on the enclosure net.
- To avoid damage to the trampoline, do not allow pets or other animals onto the trampoline.
- Any large trampoline, with or without an enclosure, can be blown around in high winds and cause injury or damage. We recommend that the enclosure be dismantled and removed under these conditions and stored in a dry place.

DISPOSAL INFORMATION

- Never allow toys to be placed or used near a fire. When it becomes necessary to dispose of your equipment, remove all bolts and disassemble. Store safely & out of reach for children until it can be properly disposed of. Remember to dispose it in a safe place and manner so as not to present any hazards to any individuals.

WARRANTY INFORMATION

Congratulations on your purchase!

This **trampoline** is warranted to be free from defects in material and workmanship under normal use and service conditions for a period of **2 years on the frame and jumping mat, and 12 months on the springs, enclosure netting and pads** from the date of purchase of this article. Evidence of unfair usage or incorrect adjustment by the owner will void this promise.

The benefits conferred by this manufacturer's warranty are in addition to all rights and remedies conveyed by the Competition and Consumer Act 2010 (Commonwealth), and any other statutory rights to which you may already be entitled, and this warranty does not exclude, restrict or modify any such rights or remedies that are implied by law.

Our goods come with guarantees that cannot be excluded under the Australian Consumer Law. You are entitled to a replacement or refund for a major failure and for compensation for any other reasonably foreseeable loss or damage. You are also entitled to have the goods repaired or replaced if the goods fail to be of acceptable quality and the failure does not amount to a major failure.

Conditions of Warranty

All warranty coverage extends only to the original retail purchaser from the date of purchase. Please keep your receipt, tax invoice or other proof of purchase.

This warranty does not extend to any damage to a product caused by abuse, improper or abnormal usage, or repairs not provided by us or our Service Centre. Nor does this warranty extend to products used for commercial or rental purposes. This warranty does not cover ordinary wear, tear and weathering, failure to follow directions, improper installation, improper maintenance or acts of God (such as damage caused by storms, lightning, heavy winds and by snow or ice).

Making A Warranty Claim

In order to make a claim under this warranty please direct your enquiries to our Service Centre. You can contact them on our **Freecall 1800 465 070** number or send mail to them at Action Service Centre: 6 Sedgwick Place, Smeaton Grange, NSW 2567 – if mailing please include your contact details.

A service representative will then assist you in the appropriate action to be taken. For efficient processing of your enquiry please have proof of purchase, the date of purchase and the retailer name you purchased the item from, and the brand on the product. Photos of the product, and scans of receipts, may be requested to assist with your claim.

The service centre representative will assess the claim. If:

- 1) **there is a minor fault**, they can offer either a replacement spare part, replacement unit, repair or other suitable remedy;
- 2) **there is a major fault**, they can offer a replacement, repair or suggest you return to the store you purchased it from for a full refund.

Please note – a request for compensation will need documentary evidence of the loss or damage suffered. It will also need to be evidenced that such a loss was a reasonably foreseeable result of a failure by Action Sports to comply with a consumer guarantee under the Australian Consumer Law.

- 3) **The product was damaged through abnormal use**, no refund or repair can be offered.

The sending of replacements, spare parts or the cost of repair carried out by the Service Centre will be organized and covered by Action Sports. If collection of the item is required this will be organized by the Service Centre and at our expense. Do not return any products without authorization as this will be at your expense.

Our sales and service centre has been set up to provide assembly assistance, replacement parts and accessories, and to efficiently handle all warranty related matters.

SERVICE CENTRE

Contact details and hours of operation.

Freecall 1800 465 070

9:00am – 4:30pm Monday to Friday (excluding Public Holidays)

9:00am – 3:00pm Saturday

**This product is warranted by Action Sports of 48B Egerton St, Silverwater NSW, 2128.
Phone 02 8799 3500**