



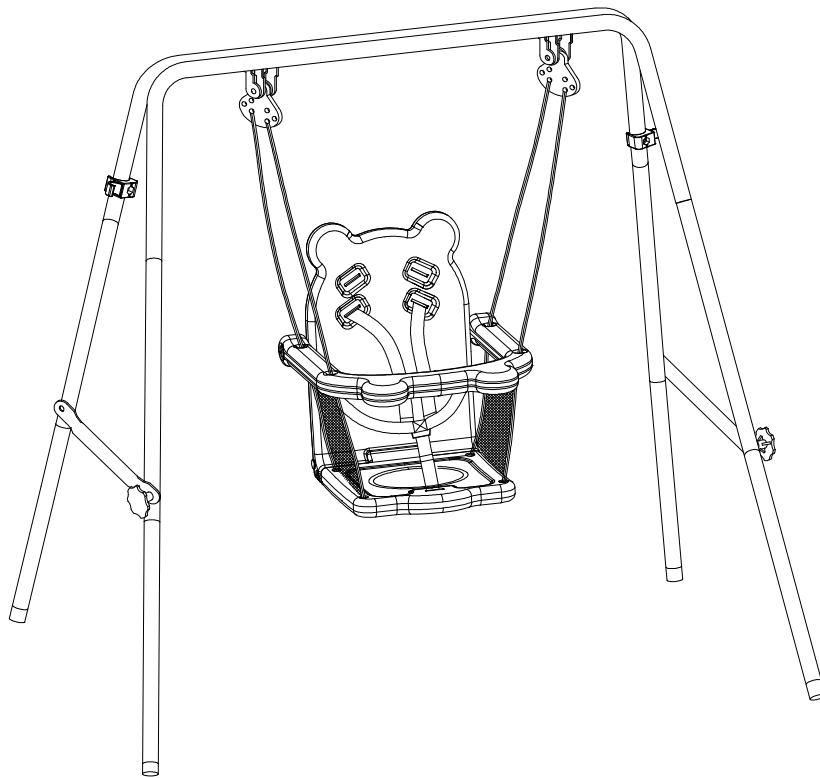
Action Sports Equipment Pty Ltd.

72 Silverwater Rd, Silverwater, NSW, Australia, 2128

Parts & Service Enquiries: 1800 465 070 (Australia)

Sales Enquiries: 1800 777 137 (Australia)

Folding Nursery Swing



Warnings:

Please read these warnings thoroughly prior to assembling the swing

- 1) Only one child should be on the swing at any one time.
- 2) This swing is designed for children aged 9-36 months, weighing not more than 25kg.
- 3) This swing seat has a seat belt – please ensure that this is used on the child when the swing is in use.
- 4) This swing is for domestic outdoor use only.
- 5) Please ensure that the swing is used on a level grassed area away from hard surfaces and away from all garden furniture and other objects (such as clothes lines and fences).
- 6) Please ensure that the swing is placed at least 2 metres from any structures or garden objects, such as fences, garages, houses, overhanging branches, clothes lines or electrical wires.
- 7) Please oil all metallic moving parts.
- 8) Prior to each use check all nuts, bolts and fittings for tightness and tighten if required.
- 9) **Please note:** As an extra precaution, please check this toy regularly for signs of wear and tear.
- 10) **Do not leave your child unattended while on the swing**
- 11) Please follow the ensuing instructions carefully as failure to assemble and maintain this item as per the instructions may cause injury to the user.

***** **IMPORTANT:** Please check and identify all component parts before you begin assembling this product. This unit must be assembled by an adult.*****

- i) **Do not** install this swing on concrete, asphalt or hard surfaces.
- ii) **Do not** allow children to stand on the swing.
- iii) **Do not** allow children to get off the swing while it is still moving.
- iv) **Do not** twist swing ropes or wrap them over the top bar.
- v) **Do not** allow loose, hooded or baggy clothes to be worn while using the swing as these can get caught in moving parts.
- vi) **Do not** loosen the rope, as this may cause the seat to become loose and fall causing injury.
- vii) **Do not** orientate the swing directly towards the sun.
- viii) **Do not** allow children to climb on the swing frame.
- ix) **Do not** allow children to wander within 2 metres of the swing while it is in use by another child.
- x) **Do not allow the swing to** exceed an angle of 60 degrees from the ground.
- xi) **Failure** to assemble and maintain this item as per these instructions may cause injury.
- xii) Packaging materials are not toys and can be dangerous. **Please remove all packaging and packing tags/wires before allowing your child to use the swing.**
- xiii) Adults assembly required.
- xiv) **For use only under adult supervision.** Children should be instructed by parent or an accompanying adult NOT to attach items to the unit that are not specifically designed for use with it, such as, but not limited to, jump ropes, clothesline, pet leashes, cables and chain as they may cause a strangulation hazard.

Maintenance:

***** Maintenance should only be carried out by a responsible adult.*****



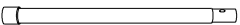

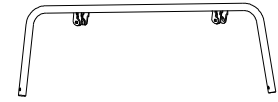

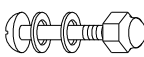
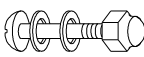

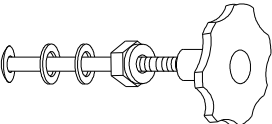
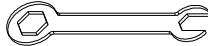


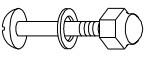
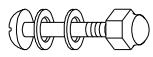
CHECK ALL NUTS AND BOLTS TIGHTNESS AND TIGHTEN AS REQUIRED, EVERY COUPLE OF WEEKS DURING THE MONTHS THE SWING IS IN USE. IT IS PARTICULARLY IMPORTANT THAT THIS PROCEDURE BE FOLLOWED AT THE BEGINNING OF EACH SEASON.

- 1) Never use pliers to tighten up screws – these can cause damage to both the paintwork and the special anti-corrosion plating.
- 2) Tighten all nuts and bolts securely. Replace as needed. If not checked regularly, bolts can be loose and dislodge and components can become detached and cause injuries.
- 3) Check swing seats, ropes and other means of attachments for evidence of deterioration, replace when required on accordance with the manufacturer's instructions.
- 4) Check all covers designed for bolts and sharp edges regularly to be certain they are present and in good condition. Replace as needed. It is particularly important that all covers are checked prior to the first use each season.
- 5) Inspect all metal parts, and hardware, for signs of wear, deterioration, rust and/or damage. Replace as needed.
- 6) Lubricate all metallic moving parts monthly during times of use. Applying a light coat of automobile wax to all metal tubing surfaces will help protect your unit and add to its longevity. Sand any rusted areas of the metal tubing and repaint using a non-lead based paint.
- 7) Remove plastic seats and store indoors, or do not use when the temperature drops below 32°F/0°C.
- 8) Check unit for scuffs, burrs, sharp edges and any other defects that may occur from assembly, abuse, shipping or everyday use. Burrs and sharp edges may be filed down until smooth and covered with duct tape if necessary.
- 9) To help maintain the products appearance, occasionally clean the seats and metal framework with a damp cloth lightly – but DO NOT use abrasive chemical cleaners.

Please retain these instructions for future reference.

When assembling the swing, leave all fittings finger-tight until assembly is complete, for ease of construction, then tighten firmly. Once assembly is complete, carefully check the unit before use. If you find any problems, do not allow children to use the equipment until it is fit for use.

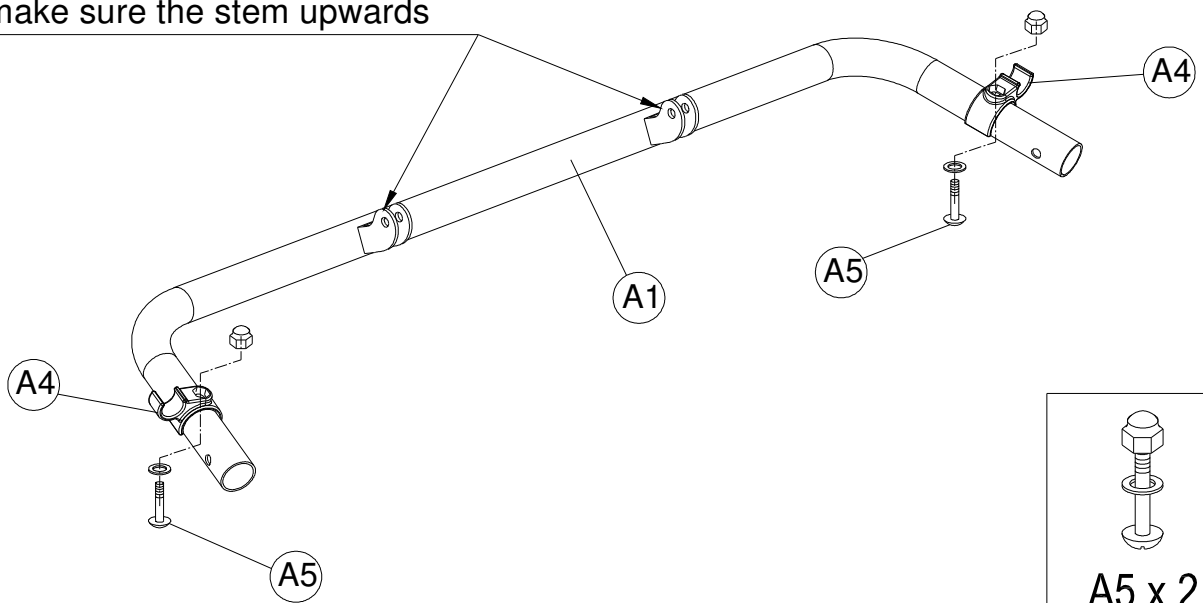
Parts

A 1 x 1 	B x 4 	C x 4 	D x 2 
A 2 x 1 	E x 2 	F x 4 (M6x34mm) 	G x 2 (M6x38mm) 
A 3 x 1 	H x 2 (M6x48mm) 	I x 1 	J x 1 (4mm) 
A 4 x 2 	A 5 x 2 (M6x36mm) 		
A 6 x 2 (M6x28mm) 			

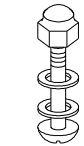
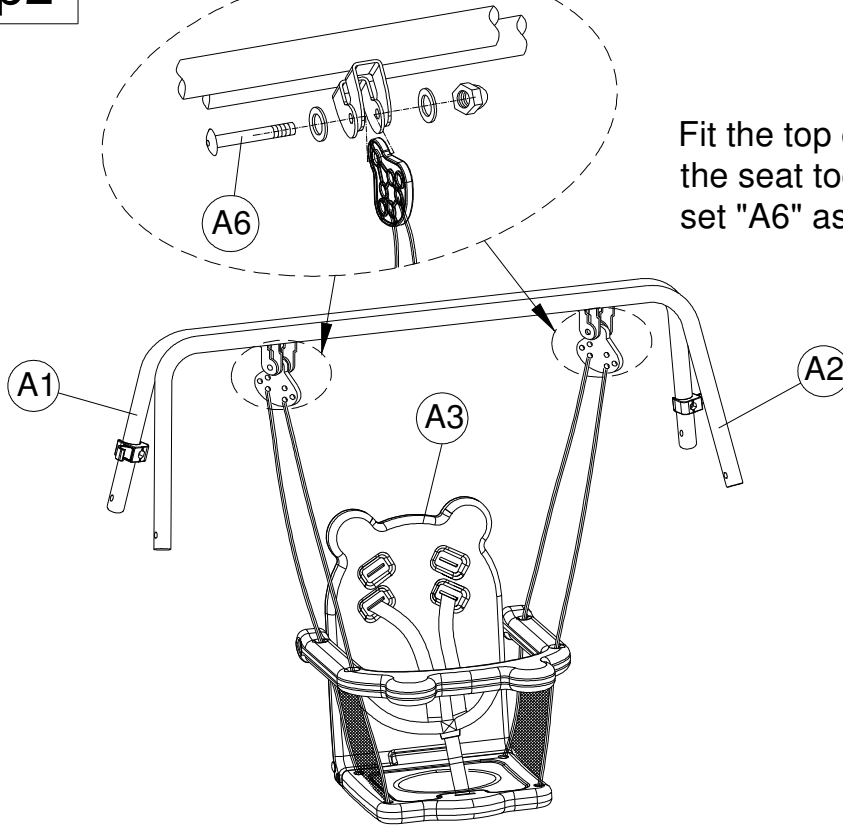
Assembly

Step 1

Place part A1 on level ground and make sure the stem upwards

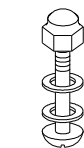
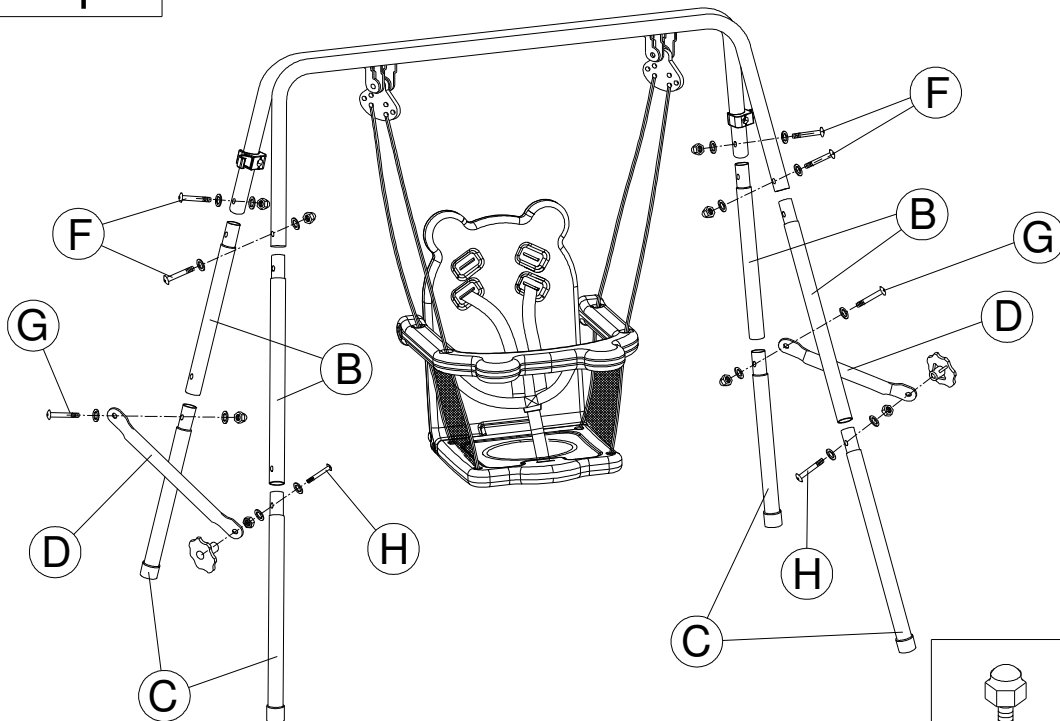


Step2

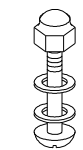


A6 x 2

Step3



F x 4



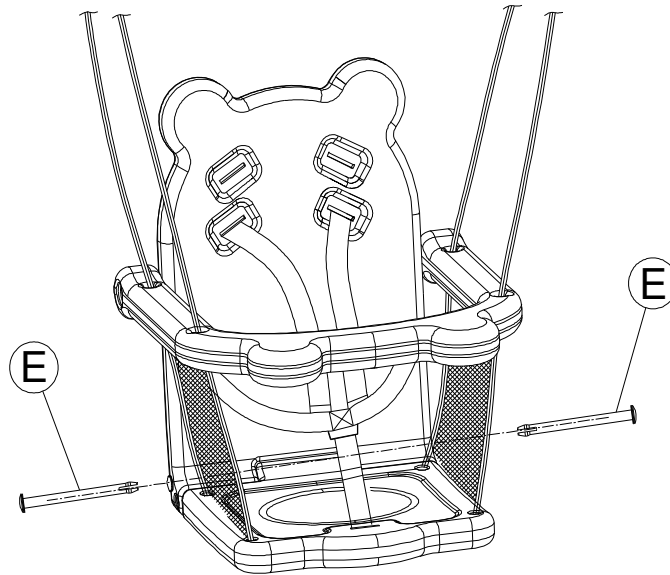
G x 2



H x 2

Step4

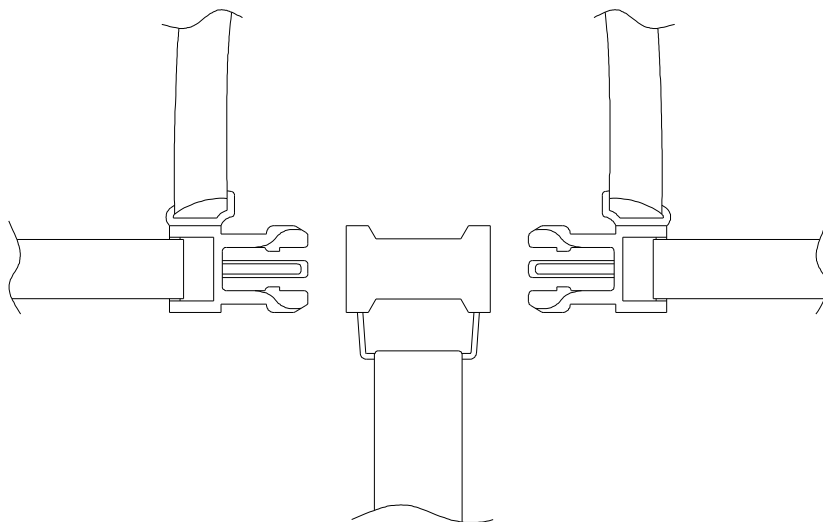
Lock the seat board into place with plastic pin "E" on both sides of the seat as shown:



Step5

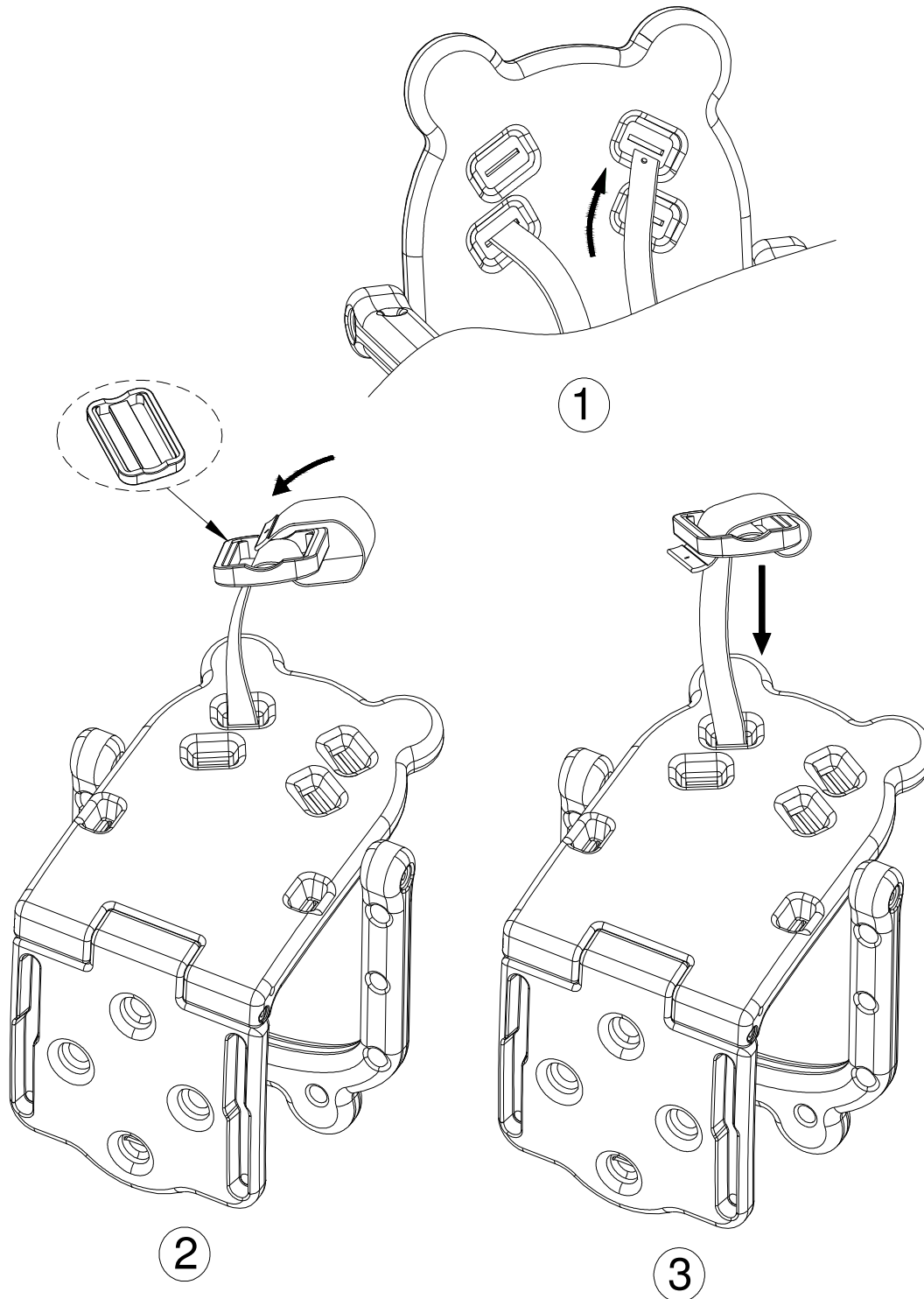
USING THE SEAT SAFETY BELT

Push both connectors into the middle buckle.



Step 6

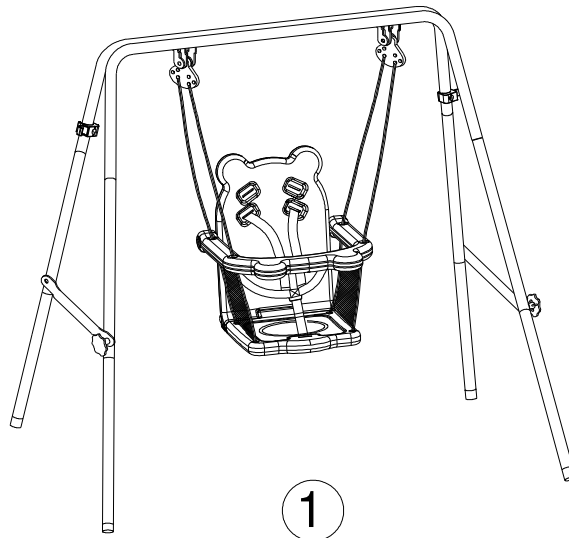
When the user reaches 18-36 months please move the safety belt from the bottom back holes to the top holes. Refer to the figure below.



Step 7

FOLDING THIS SWING

When the unit is not in use it can be folded up for easy storage. To do this please un-tighten knob 'H' from the side frame. Then slide the side frame upwards and connect it to the plastic anchor on the top of the side frame.





WARRANTY INFORMATION

ACTION NURSERY SWING

IMPORTANT

Please read and retain this manual as it will assist with identification for parts and service.

ACTION NURSERY SWING

Limited Warranty

ACTION SPORTS warrants its NURSERY SWING to be free from defects in material and workmanship under normal use and service conditions for a period of **6 months** from the date of purchase of this article. Evidence of unfair usage or incorrect adjustment by the owner will void this promise.

All warranty coverage extends only to the original retail purchaser from the date of purchase. ACTION SPORTS obligation under this Warranty is limited to replacing or repairing the product, at the discretion of our authorised service centre. Any enquiries relating to warranties or spare parts must first be directed to our **Freecall 1800 465 070** who will then assist you in the appropriate action to be taken. For efficient processing of your enquiry please have proof of purchase, retailer name you purchased the item from and the brand on the product.

This warranty does not extend to any damage to a product caused by abuse, improper or abnormal usage, or repairs not provided by ACTION. Nor does this warranty extend to products used for commercial or rental purposes. This warranty does not cover ordinary wear, tear and weathering, failure to follow directions, improper installation, improper maintenance or acts of God (such as damage caused by storms, lightning and by snow or ice). No other Warranty beyond that specifically set forth above is authorised by ACTION.

Our sales and service centre has been set up to provide assembly assistance, replacement parts and accessories, and to efficiently handle all warranty related matters.

Freecall 1800 465 070

9:00am – 4:30pm Monday to Friday (excluding Public Holidays)

9:00am – 3:00pm Saturday

Website: www.actionsports.com.au